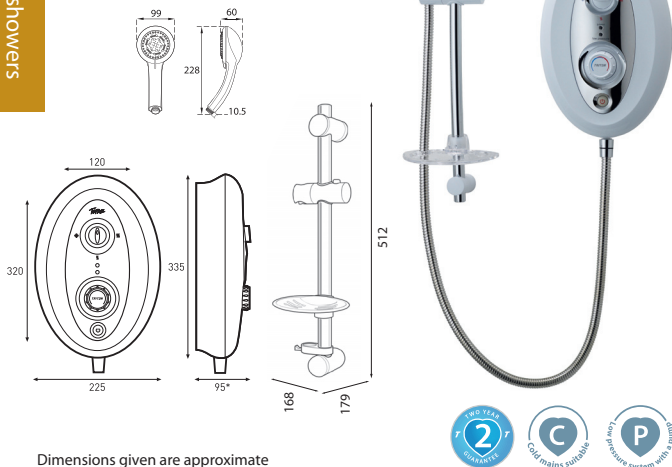


Topaz T80si

thermostatic electric shower



Dimensions given are approximate

Operating Features

- Thermostatic temperature control
- Push button Start/Stop with phased shutdown
- Separate temperature and power controls
- Low pressure indicator
- Power on indicator
- Rub clean showerhead – 5 spray pattern

Finish	Power	Code
White/Chrome	8.5 kW	SP8148SI
White/Chrome	9.5 kW	SP8149SI
White/Chrome	10.5 kW	SP8141SI

Temperature Control	Thermostatic
Power Ratings	8.5 kW, 9.5 kW, 10.5 kW
Inlet Connection	15mm compression
Water Entry Points	Top, bottom, back (right hand side unit)
Cable Entry Points	Top, bottom, back (right hand side unit)
Outlet Connection	1/2" BSP
Plumbing System	Cold water only
Minimum Running Pressure/Flow	1 Bar @ 8 l/min and 1.5 Bar @ 11 l/min for 10.5 kW
Maximum Static Pressure	10 Bar
Surface Mounted Only	
Approvals, Complies with	BEAB, CE, BSI kite mark
Guarantee	2 years