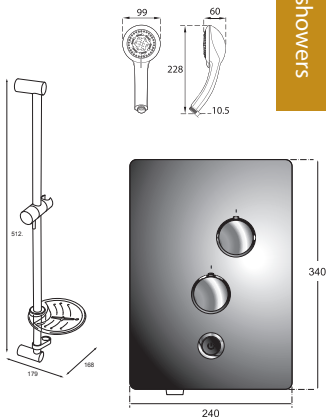




# Inscriptions

## electric shower

electric showers



Dimensions given are approximate

Temperature Control	Stabilised
Power Ratings	9.5 kW
Inlet Connection	15mm compression
Water Entry Points	Bottom, back (right hand side unit)
Cable Entry Points	Top, back (right hand side unit)
Outlet Connection	1/2" BSP
Plumbing System	Cold water only
Minimum Running Pressure/Flow	1 Bar @ 8 l/min
Maximum Static Pressure	10 Bar
Surface Mounted Only	
Approvals, Complies with BEAB, CE, BSI kite mark	
Guarantee	2 years

### Operating Features

- Power on indicator
- Push button Start/Stop
- Separate temperature and power controls
- Rub clean showerhead – 5 spray pattern

Finish	Power	Code
Mirror Black	9.5 kW	INS09MRBLK
White Jasmine	9.5 kW	INS09GLJAS
Black Granite	9.5 kW	INS09TLGBLK
Aqua Glass	9.5 kW	INS09GLAQU
White Glass	9.5 kW	INS09GLWHT
Arran Stone	9.5 kW	INS09TLSARR