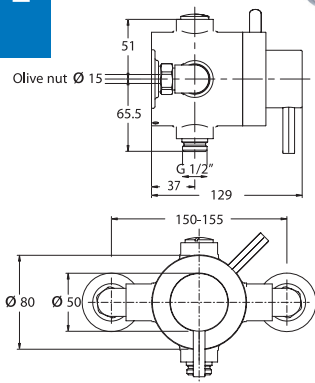


Elina TMV3 Exposed thermostatic mixer shower



Dimensions given are approximate

WRAS
APPROVED
PRODUCT



Operating Features

- Thermostatic temperature control to within 1°C
- Separate flow and temperature controls
- Automatic shutdown if hot or cold supplies fail
- Tamper proof lever controls
- Simple to install and maintain
- Factory set maximum temperature at 38°C
- Flow limiters supplied

Ideal use in care homes, hospitals
and nursing homes

Finish	Code
Chrome	ELITMV3EXCM

Temperature Control	Thermostatic
Inlet Connection	15mm compression
Water Entry Points	Rising, falling, back
Outlet Connections	1/2" BSP top or bottom
Plumbing System Compatibility	Low and High pressure
Minimum Running Pressure/Flow	0.1 Bar @ 8 l/min
Maximum running pressure	5 Bar
Open outlet flow at 0.1 Bar	10.8l/min
Maximum Static Pressure	10 Bar
Maximum Flow with Flow Limiters Fitted	12l/min
Pipe Inlet Centres	150-155mm
Approvals, Complies with	TMV3
Guarantee	3 years