

**TRITON**

***Domina Care  
thermostatic  
mixer shower***



**Installation and  
operating  
instructions**

INSTALLERS PLEASE NOTE THESE INSTRUCTIONS ARE TO BE LEFT WITH THE USER

<b>CONTENTS</b>	<b>Page</b>
Introduction	1
Safety warnings	1
Main components and box contents	2
Site requirements	3
Typical suitable installations	4
Getting started	6
Siting of the shower	6
Installation	7
Rising or falling supplies	8
Rear entry supplies	10
Rear entry and rising or falling supplies	11
Leak testing	11
Fitting the cover and trims (second fix box)	12
Flushing procedure	13
Commissioning	14
Adjusting the maximum temperature stop	15
Operating the shower	16
Adjusting the showerhead	17
Cleaning the showerhead	18
Cleaning the filter	18
Spare parts	19
Fault finding	21
Guarantee, service policy, etc.	rear cover

To check the product suitability for commercial and multiple installations, please contact Triton's specification advisory service before installation.

Telephone: +44 (0) 87 0067 3767

Facsimile: +44 (0) 87 0067 3334

E mail: [technical@triton.plc.uk](mailto:technical@triton.plc.uk)

## INTRODUCTION

This book contains all the necessary fitting and operating instructions for your Triton Domina Care thermostatic mixer shower. Please read them carefully. Read through the whole of this book before beginning your installation.

The shower installation must be carried out by a suitably competent person and in sequence of this instruction book.

Care taken during the installation will give a long and trouble-free life from your shower.

For the best performance within the specified running pressure range a minimum flow of eight litres per minute should be available to both inlets.

The mixer shower MUST NOT be subjected to water temperatures above 80°C.

This mixer shower is designed for use with traditional low pressure 'gravity' water systems, using a cold water cistern and hot water cylinder as well as for the higher pressure systems found in the UK up to a maximum of 5 bar running pressure.

**IMPORTANT:** When installing this mixer with high pressure systems of 1 bar and above, the supplied flow regulators must be installed in the inlet elbows.

This mixer shower is suitable for fully modulating type combination boilers and multi-point hot water heaters. It is also suitable for thermal storage, unvented systems and pumped gravity systems.

**IMPORTANT:** Before installing with a gas instantaneous water heater, make sure it is capable of delivering hot water at a minimum switch-on flow rate of 3 litres per minute. At flow rates between 3 and 8 litres per minute, the appliance must be capable of raising the water temperature to a minimum of 52°C. Water temperature at the inlet to the mixer must remain relatively constant when flow rate adjustments are made (*refer to the water heater operating manual to confirm compatibility with this mixer shower*).

This mixer shower is supplied with an integral single check valve and integral large area filter in each inlet elbow. Inlet connections are by compression fittings for 15 mm copper pipe.

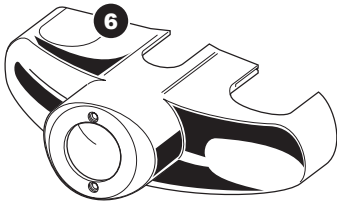
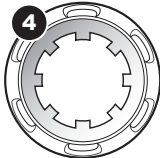
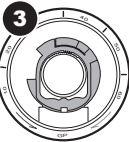
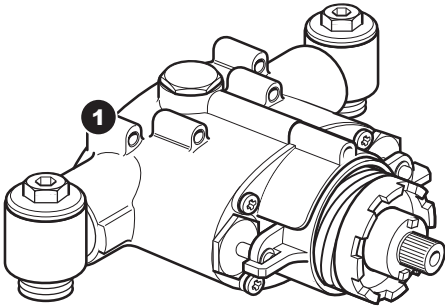
## SAFETY WARNINGS

- a. Layout and sizing of pipework must be such that when other services are used, pressures at the shower control inlets DO NOT fall below the recommended minimum.
- b. DO NOT choose a position where the shower could become frozen.
- c. DO NOT connect this mixer shower to any form of tap or fitting not recommended by the manufacturer.
- d. The showerhead must be regularly cleaned to remove scale and debris.
- e. Conveniently situated isolating valves in each inlet supply MUST be fitted as an independent method of isolating the shower should maintenance or servicing be necessary.
- f. If it is intended to operate the shower in areas of hard water (above 200 ppm temporary hardness), a scale inhibitor may have to be fitted. For advice on the Triton scale inhibitor, please contact Customer Service.
- g. DO NOT operate the shower outside the guidelines as laid out in '*site requirements*'.

Due to continuous improvement and updating, specification may be altered without prior notice. Replacement parts can be ordered from Customer Service. See '*spare parts*' for details and part numbers.

**MAIN COMPONENTS AND BOX CONTENTS (fig.1)**

**Fig.1**



**Mixer pack**

- 1.** Mixer shower body

**First fix box**

- Screw pack
- Flushing cartridge
- Blanking plug
- Rear pipe trims
- Outlet fittings
- Flow restricter (HP systems only)
- Flow regulator (instantaneous systems only)

**Second fix box**

- 2.** Temperature control knob
- 3.** Temperature disc
- 4.** Flow control knob
- 5.** Temperature control knob trim
- 6.** Cover – exposed shower
- 7.** Showerhead and key (*not shown*)
- 8.** Riser rail kit (*not shown*)
- 9.** Flexible hose (*not shown*)
- 10.** Soap dish (*not shown*)

## **SITE REQUIREMENTS**

The installation must be in accordance with Water Regulations and Bylaws.

### **Running water pressure:**

- Gravity fed – 0.1 bar min.  
1.0 bar max.
- Mains fed – 1.0 bar min.  
5.0 bar max.

### **Maximum static water pressure:**

- Gravity and mains – 10 bar

**DO NOT connect the mixer shower to a gravity hot supply and a mains cold supply (or vice versa).**

For the best performance within the specified running pressure range a minimum flow of eight litres per minute should be available to both inlets.

While the mixer shower is operational (open outlet), inlet pressures must not be capable of exceeding 7 bar. For effective operation of the internal seals, the maximum static pressure must not be exceeded.

**Note:** On sites where the running pressure is above 5 bar, the use of a suitably sized pressure reducing valve fitted in the cold mains supply pipework can provide nominally equal pressures at the mixer shower.

The pipework should be installed such that the flow is not significantly affected by other taps and appliances being operated elsewhere on the premises.

**Note:** Where thermal store systems and instantaneous gas water heaters are used, if excessive draw-offs take place the boiler may not be able to maintain an adequate output temperature. This could result in the shower temperature becoming noticeably cooler.

## **Water temperature requirements**

Maximum hot water temperature = 80°C

Recommended maximum = 65°C

Minimum hot water temperature = 52°C

Maximum cold water temperature = 20°C

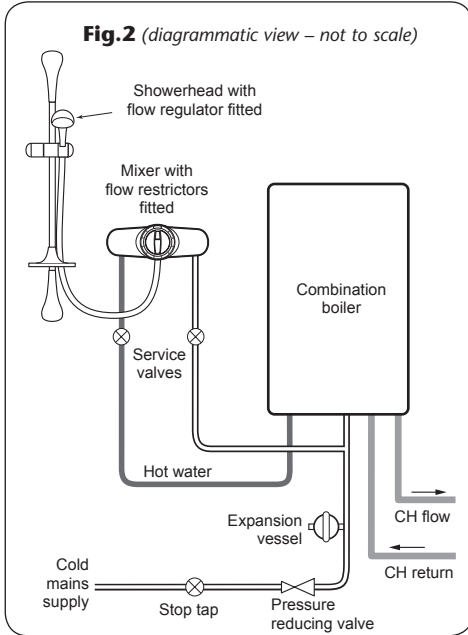
BS 6700 recommends that the temperature of stored water should never exceed 65°C.

A stored water temperature of 60°C is considered high enough to meet all normal requirements and will minimise the effects of scale in hard water areas.

## **Temperature adjustment range**

The mixed water temperature can be adjusted from cold through to a top limit which must be pre-set during installation with full anti-scald protection throughout the range (35°C to 45°C) providing the hot water temperature at the inlet remains 10°C above the outlet temperature.

**Fig.2** (diagrammatic view – not to scale)



**TYPICAL SUITABLE INSTALLATIONS**

**a) Instantaneous gas-heated systems, e.g. combination boilers (fig.2)**

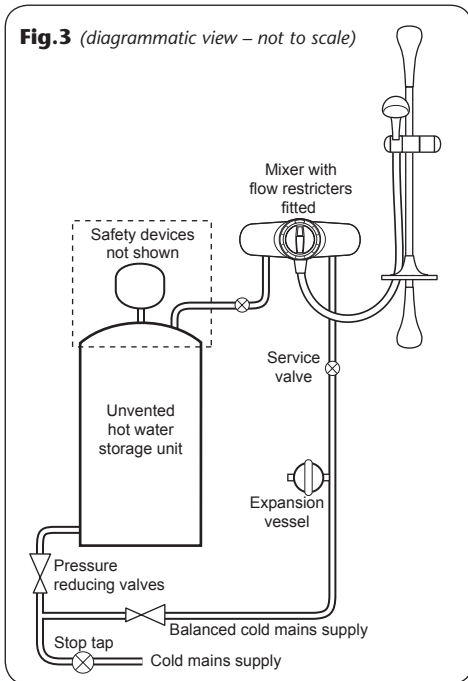
The shower control **MUST** be installed with a multipoint gas water heater or combination boiler of a fully modulating design (i.e. to maintain relatively stable hot water temperatures).

A drop tight pressure reducing valve **MUST** be fitted if the supply pressures exceed 5 bar running.

An expansion vessel (shown in **fig.2**) **MUST** be fitted, and regularly maintained, to stop the shower mixer being damaged by excess pressures. This may already be installed within the boiler (check with manufacturer) and is in addition to the normally larger central heating expansion vessel.

The layout and sizing of pipework **MUST** be such that nominally equal inlet supply pressures are achieved and the effects of other draw-offs are minimised. The hot supply temperature **MUST** remain a minimum of 10°C hotter than the required blend temperature for optimum performance.

**Fig.3** (diagrammatic view – not to scale)



**b) Unvented mains pressure systems (fig.3)**

The shower control can be installed with an unvented, stored hot water cylinder.

For systems with no cold water take off after the appliance reducing valve, it will be necessary to fit an additional drop tight pressure reducing valve when the mains pressure is over 5 bar. The drop tight pressure reducing valve must be set at the same value as the unvented package pressure reducing valve.

**Note:** An additional expansion vessel (**fig.3**) may be required if a second pressure reducing valve is installed. This does not apply to packages with a cold take off after the pressure reducing valve to the cylinder. The layout and sizing of pipework must be such that nominally equal inlet supply pressures are achieved and the effects of other draw-offs are minimised.

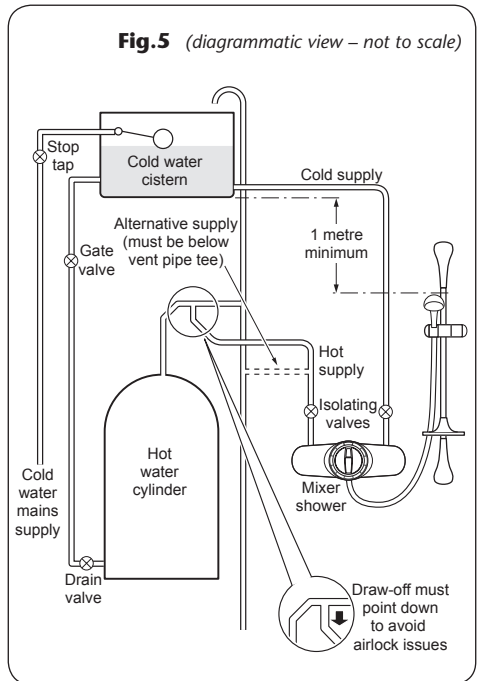
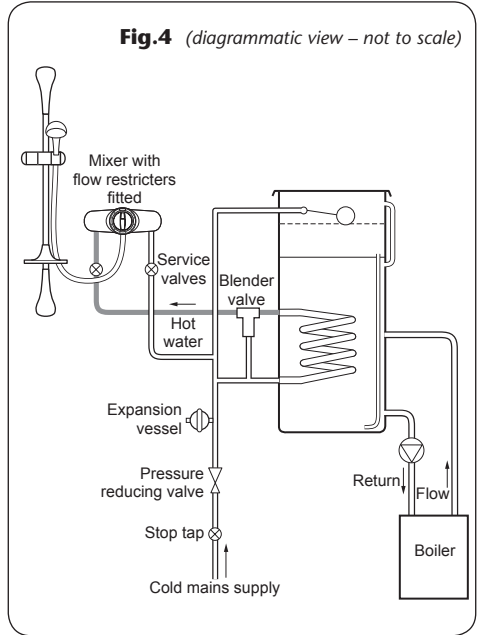
**c) Mains pressurised thermal store systems (fig.4)**

Packages of this type, fitted with a tempering valve (blender valve) can be used. A drop tight pressure reducing valve MUST be fitted if the supply pressures exceed 5 bar running.

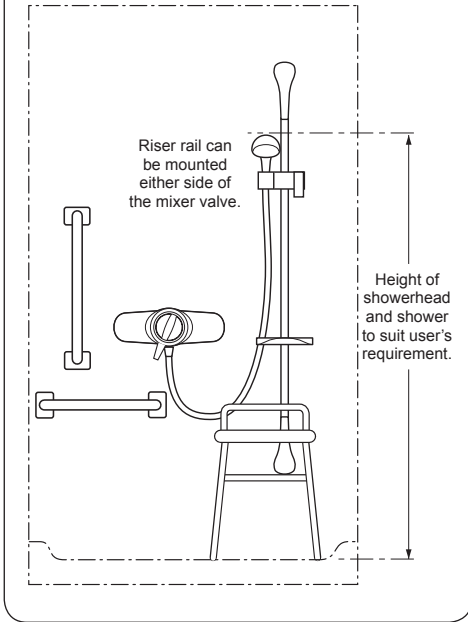
An expansion vessel (shown in **fig.4**) MUST be fitted, and regularly maintained, to stop the unit being damaged by excess pressures. This may already be installed externally or internally within the thermal store (check with thermal store manufacturer).

**d) Gravity fed systems (fig.5)**

The shower control MUST be fed from a cold water cistern and hot water cylinder providing nominally equal pressures. There must be a minimum of one metre head of water. The minimum head distance is measured from the base of the cold water cistern to top of the showerhead.



**Fig.6** (diagrammatic view – not to scale)



## GETTING STARTED

Inside the main container there are two boxes, plus the mixer pack with the riser rail and literature supplied loose. The items required for starting are contained in the first fix box. It is recommended to only open this one first, leaving the other box until required. The mixer is supplied without the temperature and flow controls fitted. These parts, with the trims and covers are supplied in the second fix box.

There is no need to fit the controls to the mixer shower until the pipework and installation are complete and the cover is required to be fitted.

Before starting the installation, make sure all the openings on the mixer are carefully covered to stop ingress of any debris etc. The mixer unit is fitted with red plugs and caps in the inlet and outlet openings. It is advised that these are left in position during building work etc. and removed only when the final connection is required.

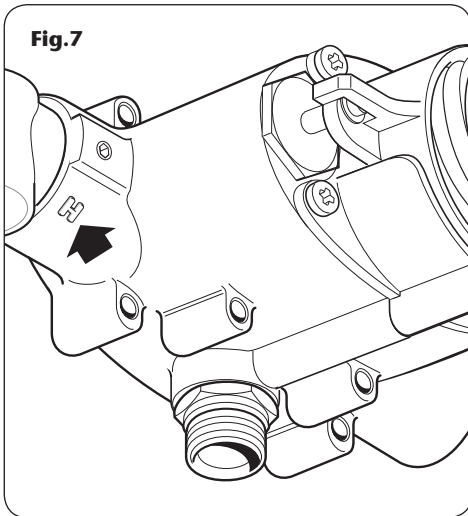
The hot and cold water pipes should not be permanently attached to the wall closer than 2 metres from the mixer prior to installation to allow final adjustment of the mixer unit position.

## SITING OF THE SHOWER

Refer to **fig.6** for correct siting of the shower.

Position the shower and showerhead on the wall so that all controls can be comfortably reached while using the shower. The showerhead and riser rail can be positioned either side of the shower.

**IMPORTANT:** The hot entry port is marked on the mixer body with a letter 'H' (**fig.7**).



## INSTALLATION

### General conditions

**Note:** The outlet of the shower must not be connected to any fitting other than the hose and showerhead supplied.

DO NOT use jointing compounds on any pipe fittings for the installation.

Use only the compression fittings supplied.

DO NOT solder fittings near the mixer unit as heat can transfer along the pipework and may damage the seals and thermostatic components.

**Note:** Suitable isolating valves (complying with Water Regulations and Bylaws) MUST be fitted on the hot and cold water supplies to the shower as an independent means of isolating the water supplies should maintenance or servicing be necessary.

When connecting pipework avoid using tight 90° elbows. Swept or formed bends will give the best performance.

**IMPORTANT:** The water circuit should be installed such that the flow is not significantly affected by other taps and appliances being operated elsewhere on the premises. Water pressure must not fall below specification of the shower.

Hot water pipe entry must be made to the inlet marked 'H'.

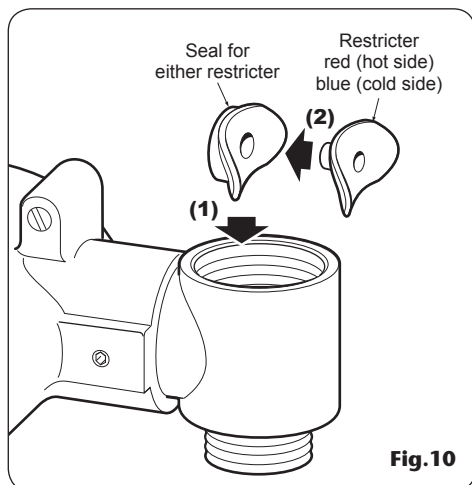
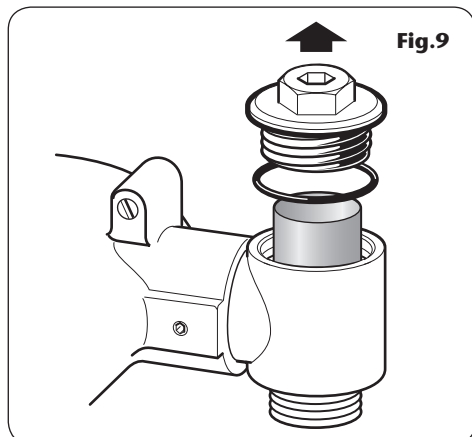
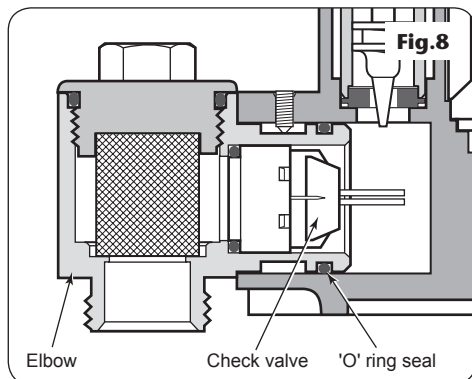
The inlet elbows allow for either rising, falling or rear entry hot and cold water supplies. The elbows have 'O' seals (**fig.8**) to the body and do not require PTFE tape or other means of sealing.

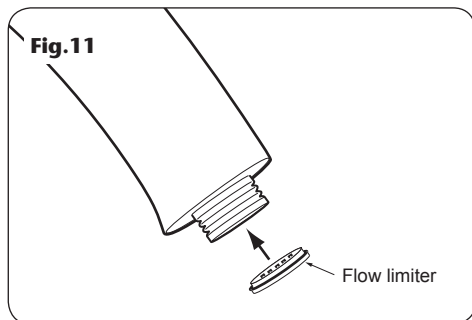
**IMPORTANT:** The inlet elbows contain check valves (**fig.8**) that may be damaged if debris is not flushed through before fitting.

### High pressure systems

If installing the mixer with a high pressure system of 1 bar and above, the two flow restricters supplied MUST be inserted into the inlet elbows. (Blue for the cold side and red for the hot side).

To fit the flow restricters unscrew the filter cap on each inlet elbow and remove the filter (**fig.9**). Fit the seal into the elbow (**fig.10**) and





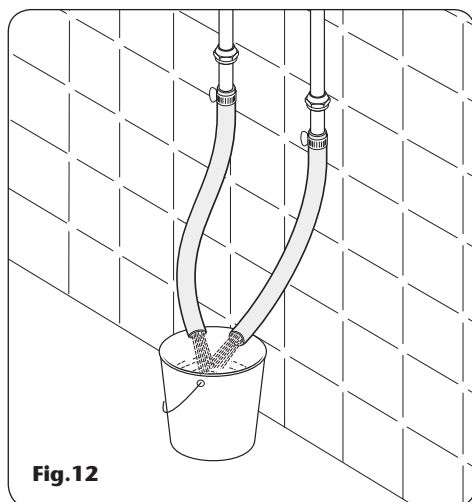
make sure it locates firmly into the hole from the valve side. Next, fit the restricter (blue for the cold side, red for the hot side) into the seal (**fig.10**) checking it locates firmly. Refit the filter and filter cap.

### **Instantaneous gas water heaters**

A flow regulator is supplied for insertion into the showerhead to control the maximum flow through an instantaneous gas water heater and the shower valve.

If the mixer shower is to be installed with the above heating system and when the second fix box is ready to be opened, insert the flow regulator, flat face up, into the end of the showerhead (**fig.11**).

With the flow regulator fitted and when the system is in use, the On/Off flow control should be turned fully anti-clockwise to the full flow setting.



### **RISING OR FALLING SUPPLIES**

Complete the pipework to the shower area having decided on the position of the shower and direction of pipe entry.

**Note:** The final separation between pipe centres needs to be between 150 mm and 155 mm but absolute accuracy is not essential as the inlet elbows have a minimal adjustment.

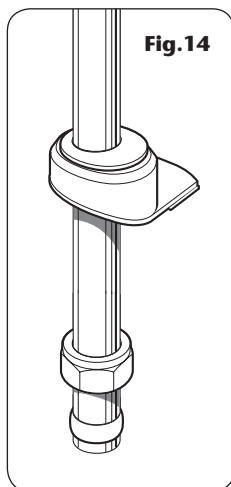
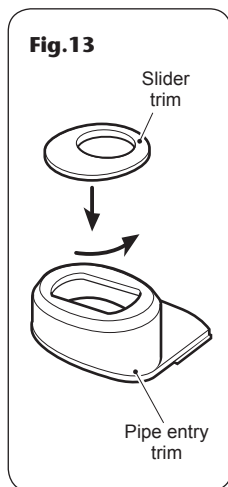
**Note:** It is preferable to flush the pipework (**fig.12**) to clear the system of debris and check for leaks before connecting to the mixer.

**IMPORTANT:** The inlet elbows contain check valves that may be damaged if debris is not flushed through before fitting. Where this is not possible, a flushing cartridge is supplied.

Clip the pipework to the wall surface so that the pipe centres are 21 mm off the wall.

Remove the red protective caps from the inlet elbows and offer the mixer to the pipework. Make sure the inlet elbow grub screws are slack allowing the elbows to rotate to the correct position with free movement in and out of the mixer housing.

Make sure the mixer housing is central between the two pipes and mark the four fixing holes



although if installing to a solid brick wall, using two diagonal holes usually will be sufficient.

Remove the mixer.

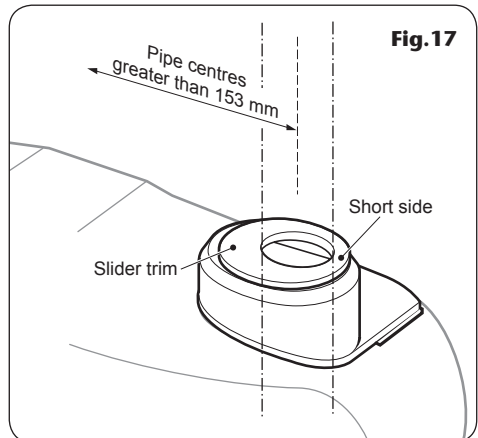
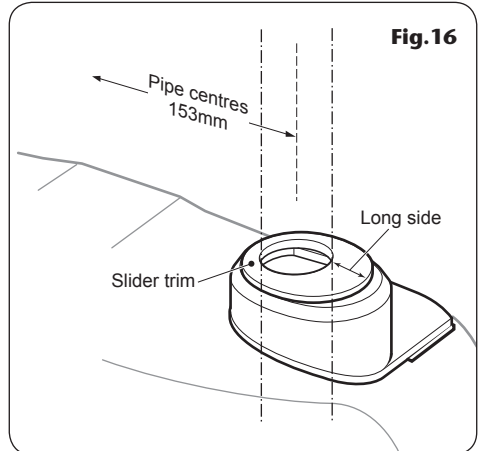
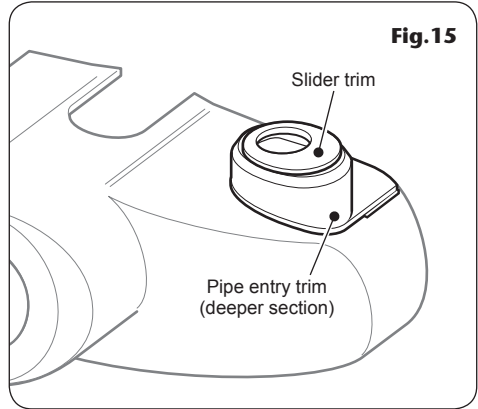
Drill and plug the holes using the wall plugs provided. *(The wall plugs provided are suitable for most brick walls – use an appropriate masonry drill, but if the wall is plasterboard or a soft building block, use special wall plugs and a suitable drill bit).*

Fit the slider trims to the pipe entry trims **(fig.13)**. Slide the assembled pipe entry trims onto the supply pipes **(fig.14)** followed by the inlet nuts and olives.

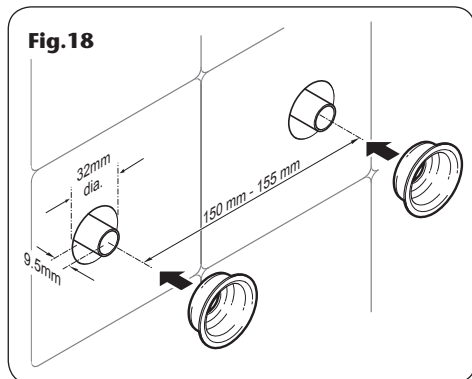
Note the pipe entry trims are handed. When the pipe trims are finally positioned on the cover, the deeper section of the trim is outermost **(fig.15)**.

**Note:** The holes in the slider trims are offset to allow for adjustable inlet pipe separation widths. If the pipe centre separation is 153 mm then have the long side of the slider trims outermost **(fig.16)**.

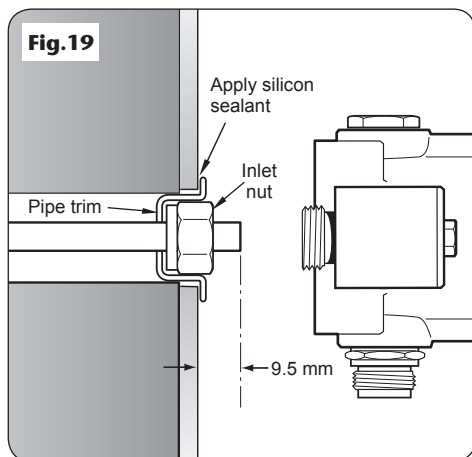
If the pipe separation gap is greater than 153 mm then have the short side of the slider trims outermost **(fig.17)**. Using fingers, the slider trim can be rotated within the pipe trim.



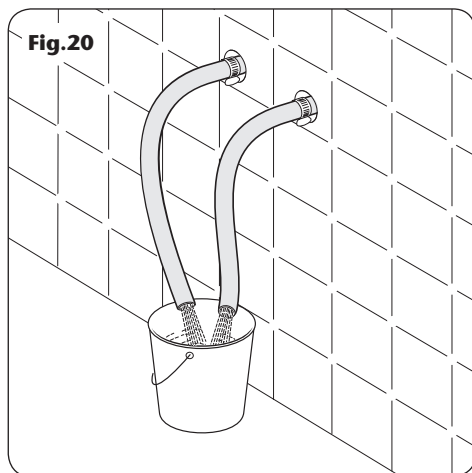
**Fig.18**



**Fig.19**



**Fig.20**



## REAR ENTRY SUPPLIES

**Note:** The final separation between pipe centres needs to be between 150 mm and 155 mm (**fig.18**) but absolute accuracy is not essential as the inlet elbows have a minimal adjustment.

Using a spirit level, mark the route of incoming hot and cold water supply pipes at a distance of about 153 mm centres.

Remove the plaster and brickwork to the required depth to conceal the supply pipework.

**Note:** Pipework installed in solid walls must be provided with enough free play inside a cavity to enable entry into the inlet elbows for tightening, prior to fixing the mixer unit to the finished wall surface.

Install the hot and cold pipework (making sure the hot inlet port marked with the letter 'H' on the mixer body is connected to the hot pipework). The finished pipework should project 9.5 mm from the front face of the tiled surface of the wall (**fig.19**).

**Note:** It is preferable to flush the pipework (**fig.20**) to clear the system of debris and check for leaks before connecting to the mixer.

Allow for two circular recesses measuring 32 mm diameter by 14 mm depth, to accept the rear entry pipe trims (**fig.18**).

**IMPORTANT:** The inlet elbows contain check valves that may be damaged if debris is not flushed through before fitting. Where this is not possible, a flushing cartridge is supplied.

Remove the red protective caps from the inlet elbows and offer the mixer to the pipework. Make sure the inlet elbow grub screws are slack, allowing the elbows to be rotated to the correct position with free movement in and out of the mixer housing.

Mark the four fixing holes, although if installing to a solid brick wall using two diagonal holes usually will be enough. Remove the mixer. Drill and plug the holes using the wall plugs provided.

Make good the wall and complete the tiling, making sure the rear entry pipe trims are sealed in with silicon sealant.

**Note:** Failure to fit the rear entry pipe trims could result in ingress of water into the wall cavity.

## REAR ENTRY AND RISING OR FALLING SUPPLIES

Remove the two red plugs from the mixer valve outlets.

Fit the outlet adaptor and 'O' ring into the bottom outlet of the mixer body (**fig.21**). Make sure the adaptor is fitted with the PIPE END in the mixer body (**fig.22**).

Fit the blanking plug and 'O' ring into the top outlet hole.

Refit the mixer to the pipework making sure that the hot inlet port (marked with the letter 'H' on the mixer body) is connected to the hot pipework.

Secure to the wall with the screws supplied. Tighten the inlet nuts (**fig.23**) and inlet elbow grub screws. For rear entry supplies, use the special spanner to tighten the inlet nuts.

## LEAK TESTING

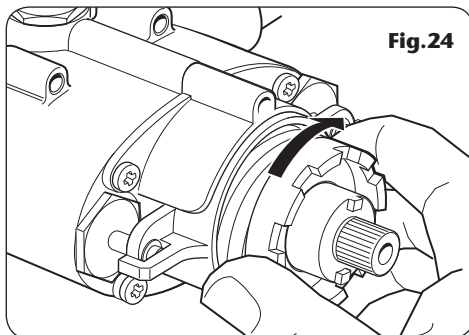
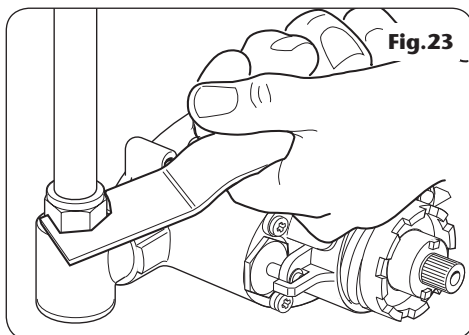
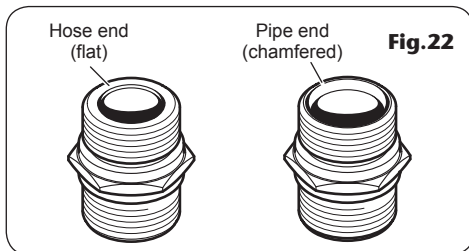
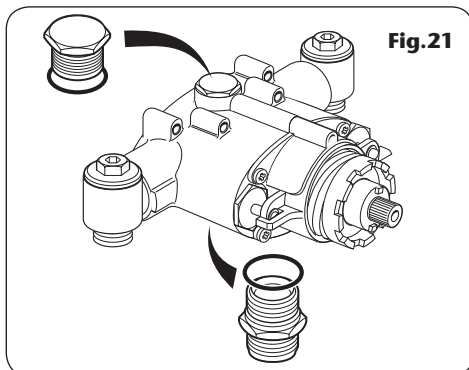
Fit a hose to the outlet adaptor and direct it to waste.

Turn the flow control thread (**fig.24**) fully clockwise to close it. Open the isolating valves to the shower. Open the flow control thread by turning fully anti-clockwise and flush through.

Turn the temperature control spline fully clockwise (HOT) and then fully anti-clockwise (COLD).

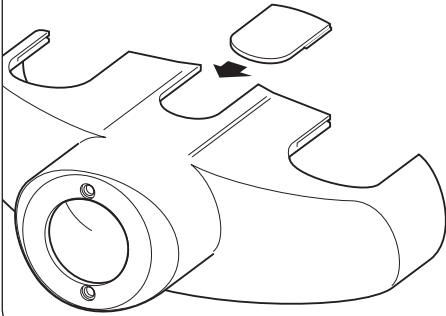
Check for any leaks and remedy if necessary.

Turn the flow control thread (**fig.24**) fully clockwise to close off the water supply and remove the hose from the outlet adaptor.



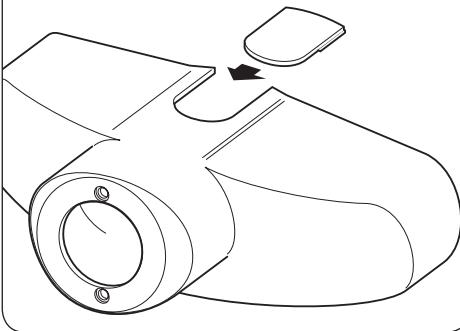
**Fig.25**

Cover shown for falling supply



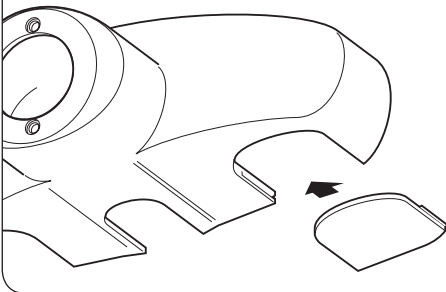
**Fig.26**

Cover shown for rising supply or rear entry



**Fig.27**

Cover shown for rear entry only



### **FITTING THE COVER AND TRIMS (second fix box)**

Slide the outlet blanking trim into the top outlet on the cover (**fig.25**).

The cover should have the plain side uppermost for rising supplies and for rear entry supplies (**fig.26**).

**REAR ENTRY SUPPLY ONLY:** Slide the handed inlet blanking trims on the underside of the cover (**fig.27**).

Fit the cover over the mixer and secure with the two screws.

Make sure the flow control thread is closed (rotated fully clockwise).

Fit the flow control lever onto the castellated section of the flow control thread placing the lever at the 6 o'clock position.

At this point, refer to 'commissioning' to establish the correct maximum shower temperature.

## FLUSHING PROCEDURE

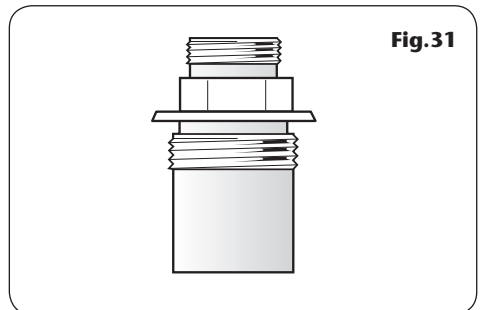
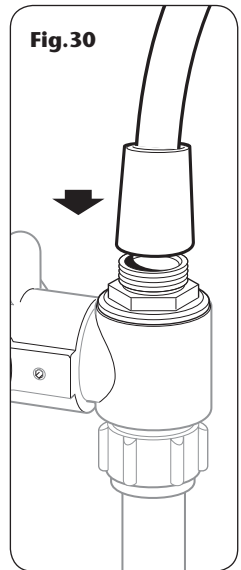
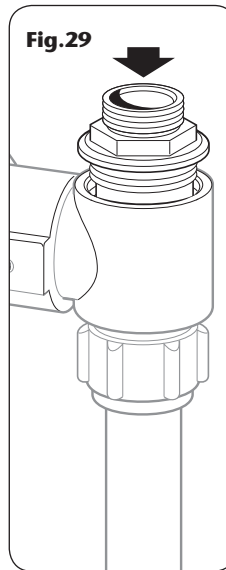
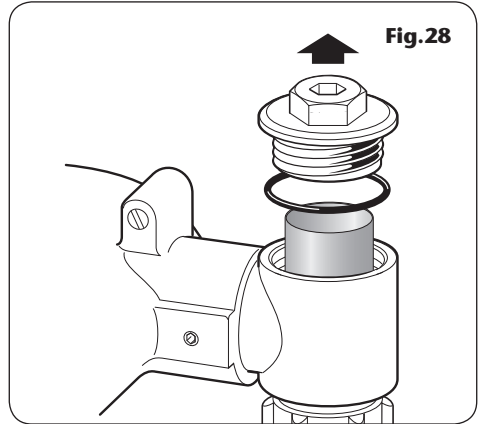
**IMPORTANT:** It is preferable to flush the pipework before installing the mixer. Where this is not possible the following procedure should be carried out.

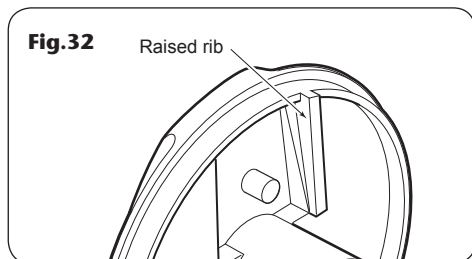
- a. Turn off the supplies at the mains.
- b. Unscrew the elbow cap using an Allen key and pull off the cap complete with the filter (fig.28).
- Note:** If flow restrictors are fitted for high pressure systems, they will have to be removed as well.
- c. Screw the supplied flushing cartridge into the elbow until tight (fig.29).
- d. Attach a hose to the flushing cartridge (fig.30) outlet and direct the other end to waste. Flush the pipe clean.
- e. Replace the flow restrictors (if fitted). Refit the filter and cap to the elbow. Screw tight.
- f. Repeat the above procedure on the other elbow.
- g. Reinststate supplies and test the mixer operation.

**Note:** It is not possible to service the check valves. Should a faulty check valve occur, a new elbow assembly will be required.

Spare flushing cartridges (fig.31) are available from Triton Customer Service.

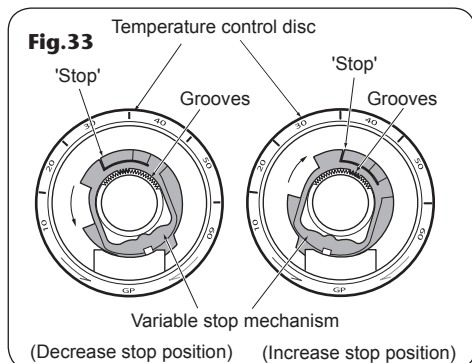
Flush the pipework to clear the system of debris and check for leaks.





**Fig.32**

Raised rib



**Fig.33**

Temperature control disc

'Stop'

Grooves

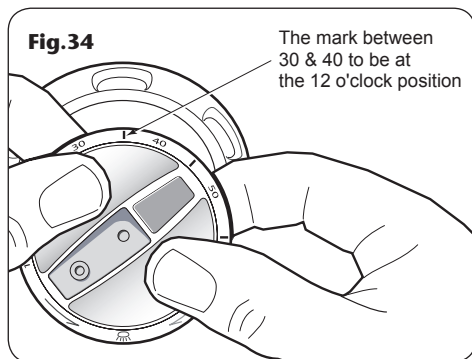
'Stop'

Grooves

Variable stop mechanism

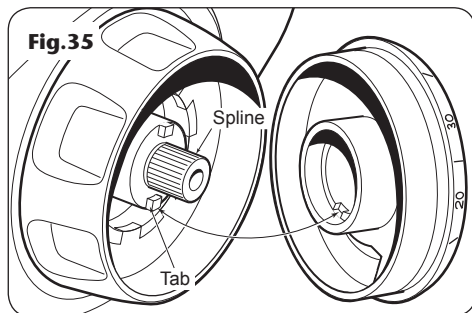
(Decrease stop position)

(Increase stop position)



**Fig.34**

The mark between 30 & 40 to be at the 12 o'clock position



**Fig.35**

Spline

Tab

## COMMISSIONING

**IMPORTANT:** Make sure that all supply pipework has been flushed through before commissioning.

Make sure that both hot and cold water supplies are fully open and at (or near to) their design temperature and pressures and are within the requirements as stated.

The shower has a maximum temperature stop to prevent accidental rotation to higher water temperatures. This is adjustable to provide a maximum temperature of 35° – 45°C.

Make sure the temperature spindle is at the maximum temperature setting, i.e. rotated fully clockwise. If not, temporarily fit the temperature control knob and rotate fully clockwise until a firm resistance is felt.

Make sure the showerhead is directed to waste. Start the water flow by turning the flow control anti-clockwise.

Allow the shower to run at the maximum temperature setting until the water temperature has stabilised. Rotate the temperature control knob anti-clockwise until your desired maximum showering temperature is reached.

When the showering temperature is satisfactory, remove the temperature control knob. Locate the temperature knob into the temperature control disc and check the raised rib (**fig.32**) butts against the protruding 'stop' of the variable stop mechanism inside the temperature control disc (**fig.33**).

Holding the temperature disc and knob firmly together, refit into the flow control knob such that the line between '30' and '40' on the disc is at the 12 o'clock position (**fig.34**).

Carefully fit so the disc engages onto the two tabs (**fig.35**) while at the same time the temperature knob slides onto the spline without rotating it.

Turn shower on and off several times and check the maximum setting is correct and that it locks out against the variable stop.

Fit the central screw (**fig.36**). Fit the control knob trim by first engaging the hooked top end inside the temperature knob (**fig.37**) and then snap the lower end in place.

Check the thermal shut off facility of the mixer by performing a thermal shut off test. Shut off the cold supply – the flow from the shower should stop immediately or reduce to a trickle in which case the water temperature should be less than 41°C. Therefore, there will be no risk of scalding.

If, however, the temperature is above 41°C then it is likely there is contamination in the mixer preventing it from shutting off the hot supply. Refer to the maintenance section or contact Customer Service.

### ADJUSTING THE MAXIMUM TEMPERATURE STOP

Should you require to alter the maximum stop position at some time in the future, proceed as follows:

Using a thin bladed screwdriver, insert into the opening beneath the temperature knob and carefully push out the trim (**fig.36**).

Unscrew the central fixing screw (**fig.36**) and remove the temperature control to reveal the mechanism.

Remove the temperature control disc. The control disc houses the variable stop mechanism (**fig.33**).

To increase the temperature stop setting reposition the variable stop mechanism clockwise within the arc of the grooves.

To decrease the temperature stop setting reposition the variable stop mechanism anti-clockwise within the arc of the grooves.

Rotate the temperature spindle clockwise (hotter) or anti-clockwise (cooler) until the desired maximum showering temperature is reached. Only adjust when the hot water is at its usual supply temperature.

Set the variable stop mechanism at the preferred position, place the temperature control knob inside the temperature control disc making sure the control knob locks out tight against the stop.

Holding the temperature disc and knob firmly together, refit into the flow control lever making sure the line between '30' and '40' on the disc is at the 12 o'clock position (**fig.35**).

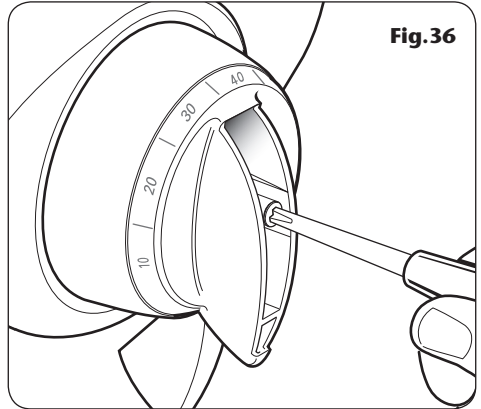


Fig.36

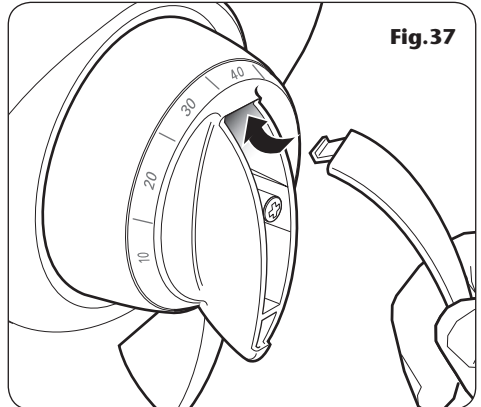


Fig.37

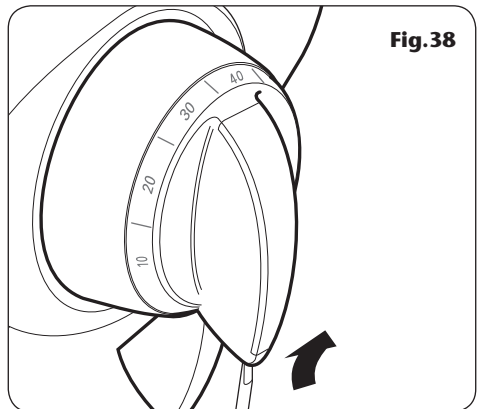
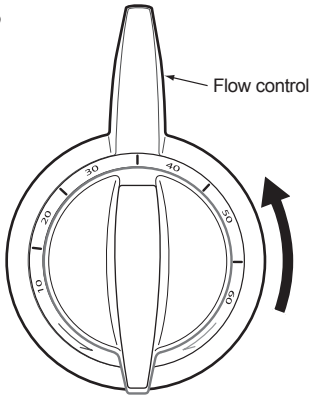


Fig.38

**Fig.39**



Carefully place so the disc engages on the two tabs (**fig.36**), while at the same time the temperature knob locates onto the spline without rotating it.

Turn the shower on and off several times and check the maximum setting is correct and that it locks out against the variable stop.

Refit the central screw and knob trim (**fig.37** and **fig.38**).

### OPERATING THE SHOWER

Make sure all plumbing supplies are connected and turned on.

To start the shower turn the flow control anti-clockwise (**fig.39**). For maximum flow turn the lever to about the 7 o'clock position.

To adjust the temperature, turn the temperature control (**fig.40**).

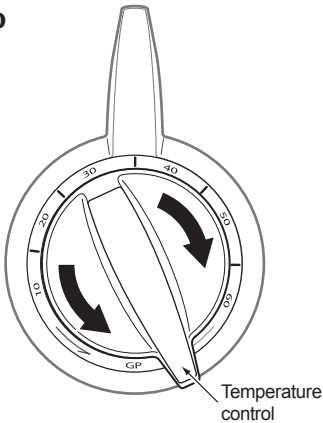
The temperature disc is numbered, but note the numbers roughly relate to °C as a guide only. They are not accurate due to the varying stored hot water temperatures in each installation.

No further adjustment is required, once at the preferred temperature, providing the hot and cold water supplies remain constant.

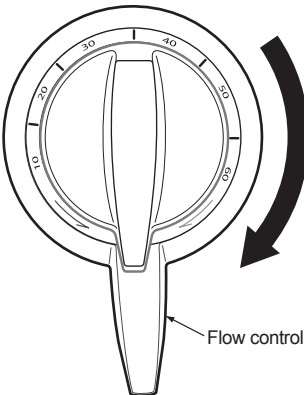
To stop the shower turn the flow control clockwise to the stop position (**fig.41**). This automatically stops the water flow.

As a safety measure the shower has a built-in maximum temperature stop to prevent accidentally exceeding the highest desired temperature. (*If adjustment is required see 'Adjusting the maximum temperature stop'*).

**Fig.40**



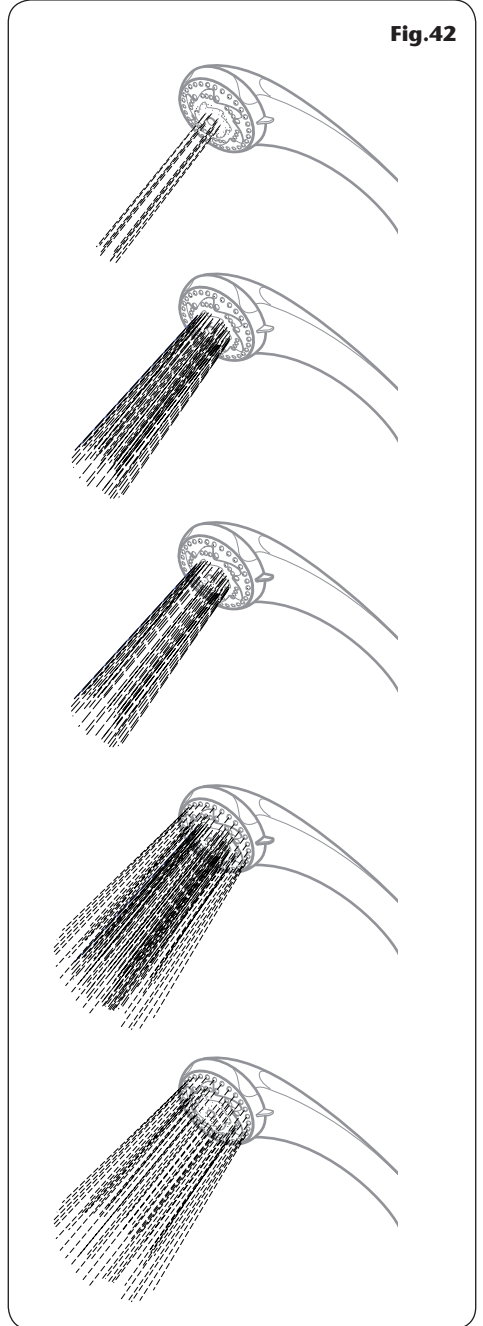
**Fig.41**



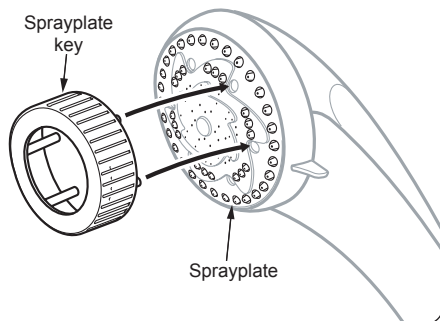
### ADJUSTING THE SHOWERHEAD

Five showerhead patterns are available (**fig.42**). Adjust the spray pattern by turning the bezel on the showerhead in either direction until the desired pattern is obtained.

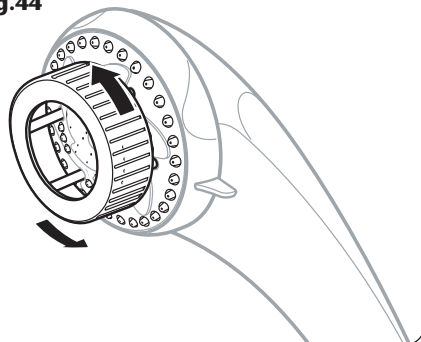
**Fig.42**



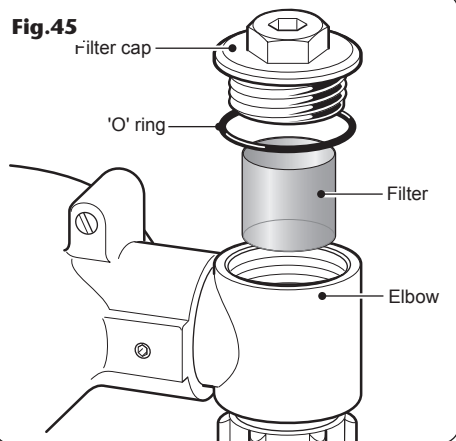
**Fig.43**



**Fig.44**



**Fig.45**



## CLEANING THE SHOWERHEAD

Before cleaning, turn off the unit at the isolation switch to avoid the shower being accidentally switched on.

IT IS IMPORTANT TO KEEP THE SHOWERHEAD CLEAN TO MAINTAIN THE PERFORMANCE OF THE SHOWER. The hardness of the water will determine the frequency of cleaning. For example, if the shower is used every day in a very hard water area, it may be necessary to clean the showerhead on a weekly basis.

### Sprayplate removal

There is no need to remove the showerhead from the hose.

Using the removal tool supplied (**fig.43**), locate the raised 'bosses' into the recesses in the sprayplate. Hold it firmly and twist anti-clockwise (**fig.44**). This movement may turn the cartridge assembly as well until it reaches a 'stop'.

Hold the cartridge firmly and continue to twist anti-clockwise. Having loosened the sprayplate, it can be unscrewed and removed completely.

Clean the sprayplate with a suitable brush or preferably leave it to soak overnight in a mild proprietary descaler. Make sure all traces of scale are removed and thoroughly rinse in clean water afterwards.

Before replacing the sprayplate, switch the power back on at the isolating switch and direct the hose and showerhead to waste.

Turn the temperature control fully anti-clockwise. Press the start/stop button.

This operation will flush out any loose scale deposits in the unit and showerhead. Stop after about thirty seconds.

Refit the sprayplate by screwing clockwise. Use the tool to screw the sprayplate tight.

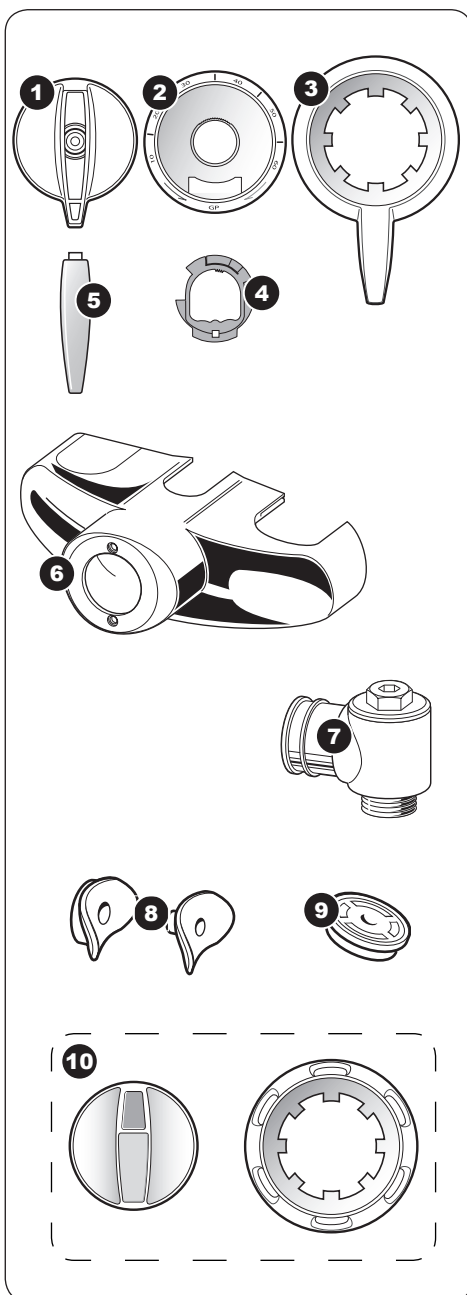
### CLEANING THE FILTER

Turn off the water supplies before starting.

Unscrew the filter cap (**fig.45**) on each inlet elbow and remove the filter. Wash the filter thoroughly under running water to remove all debris. Replace the filter into the recess on the cap and screw the unit back into the elbow, making sure the 'O' ring is in place.

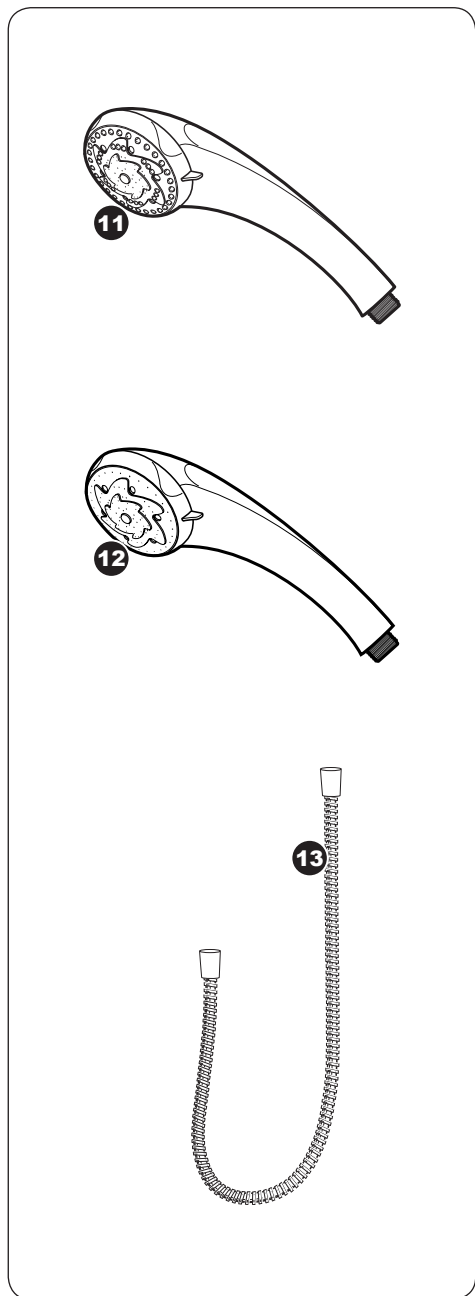
**SPARE PARTS**

<b>Ref. Description</b>	<b>Part No.</b>
<b>1.</b> Temperature control knob	7053012
<b>2.</b> Temperature control trim	7053013
<b>3.</b> Temperature disc	7052976
<b>4.</b> Variable stop	7051435
<b>5.</b> Flow control lever	7053010
– Flow control lever trim	7053011
<b>6.</b> Cover assembly – exposed all chrome	83500050
– Cover only – exposed all chrome	7052465
– Trim pack only – exposed all chrome	83306660
<b>7.</b> Elbow assembly	82800590
<b>8.</b> Flow restrictor (HP systems only)	
cold (blue)	7052965
hot (red)	7052975
seal	7062955
<b>9.</b> Flow regulator – white (instantaneous systems only)	22009590
– Fixing kit – exposed	83500040
– Flow control – hot	7122979
– Flow control – cold	7122613
– Thermostatic cartridge	S0620700
– Filter	7012604
– Maintenance tool kit	82800580
– Flushing cartridge	7052621
<b>10.</b> Standard Domina controls (optional purchase on request)	



**SPARE PARTS**

<i>Ref.</i>	<i>Description</i>	<i>Part No.</i>
-------------	--------------------	-----------------



- |            |  |          |
|------------|--|----------|
| <b>11.</b> | 5 mode rub clean electric showerhead                 |          |
|            | white  | 22010980 |
|            | chrome   | 22011130 |
|            | gold   | 22011140 |
|            | 5 mode gravity showerhead                            |          |
|            | white  | 22011070 |
|            | chrome   | 22011110 |
|            | gold   | 22011120 |
| <b>12.</b> | 5 mode kwik kleen electric showerhead                |          |
|            | white  | 22011270 |
|            | chrome   | 22011250 |
| <b>13.</b> | Flexible hoses are available in the following sizes: |          |
|            | 1.00 m in white, chrome and gold                     |          |
|            | 1.25 m in white, chrome and gold                     |          |
|            | 1.75 m in chrome only                                |          |

**FAULT FINDING**

**The following can be carried out by a competent person**

<b>Problem/Symptom</b>	<b>Cause</b>	<b>Action/Cure</b>
<b>1</b> Water too hot.	<b>1.1</b> Temperature control incorrectly commissioned.	<b>1.1.1</b> Refer to commissioning section.
	<b>1.2</b> Not enough cold water flowing through shower.	<b>1.2.1</b> Turn temperature control anti-clockwise.
	<b>1.3</b> Increase in the ambient cold water temperature.	<b>1.3.1</b> Turn temperature control anti-clockwise.
	<b>1.4</b> Cold water supply blocked.	<b>1.4.1</b> Turn off the shower and consult a competent plumber or contact Triton Customer Service.
	<b>1.5</b> High volume of cold water drawn off elsewhere.	<b>1.5.1</b> Reduce the simultaneous demand from the mains supply.
<b>2</b> Water too cold.	<b>2.1</b> Temperature control incorrectly commissioned.	<b>2.1.1</b> Refer to commissioning section.
	<b>2.2</b> Not enough hot water flowing through shower.	<b>2.2.1</b> Turn the temperature control clockwise. (Override max. temperature stop if necessary).
	<b>2.3</b> Decrease in the ambient cold water temperature.	<b>2.3.1</b> Turn the temperature control clockwise. (Override the maximum temperature stop if necessary).
	<b>2.4</b> Insufficient hot water supplies from the heating system.	<b>2.4.1</b> Make sure heating appliance is set to maximum or has enough stored hot water.
		<b>2.4.2</b> Make sure heating appliance is igniting by trying a hot water tap elsewhere.
	<b>2.5</b> Hot water supply blocked or restricted.	<b>2.5.1</b> Turn off the shower and consult a competent plumber or contact Triton Customer Service.
<b>2.6</b> Flow regulator not fitted (HP systems only).	<b>2.6.1</b> Fit the supplied flow regulator in the showerhead (see 'instantaneous gas water heaters' on page 8).	

**FAULT FINDING**

<b>Problem/Symptom</b>	<b>Cause</b>	<b>Action/Cure</b>
<b>3</b> High water flow and/or poor performance on a mains fed system.	<b>3.1</b> Restricters not fitted.	<b>3.1.1</b> Fit the supplied restricters in the inlet elbows (see 'high pressure systems' on page 7).
<b>4</b> Water does not flow or shower pattern collapses when another outlet is turned on.	<b>4.1</b> Water supplies cut off.	<b>4.1.1</b> Check water elsewhere in house and if necessary contact local water company.
	<b>4.2</b> Shower unit blocked.	<b>4.2.1</b> Inspect the filters. Clean if necessary.
	<b>4.3</b> Blockage in pipework.	<b>4.3.1</b> Turn off the shower and consult a suitably competent plumber.
	<b>4.4</b> Showerhead blocked.	<b>4.4.1</b> Clean showerhead.
	<b>4.5</b> System not capable of supplying multiple outlets at the same time.	<b>4.5.1</b> Reduce the simultaneous demand. <b>4.5.2</b> Make sure stop or service valve is fully open. <b>4.5.3</b> Check if sufficient water pressure.
<b>The following is recommended for a professional qualified installer only</b>		
<b>5</b> Water too cold.	<b>5.1</b> Running pressure in excess of maximum recommended.	<b>5.1.1</b> Fit a pressure reducing valve.
<b>6</b> Shower controls noisy whilst in use.	<b>6.1</b> Running pressure in excess of maximum recommended.	<b>6.1.1</b> Fit a pressure reducing valve
<b>7</b> Shower will not shut off.	<b>7.1</b> Pipework not flushed before connecting the unit (seals damaged).	<b>7.1.1</b> Renew flow control seals.







*A **MORGROS** Company*

## Service Policy

In the event of a complaint occurring, the following procedure should be followed:

**1** Telephone Customer Service on +44 (0) 87 0067 3333 (+44 (0) 84 5762 6591 in Scotland and in Northern Ireland), having available the model number and power rating of the product, together with the date of purchase.

**2** Triton Customer Service will be able to confirm whether the fault can be rectified by either the provision of a replacement part or a site visit from a qualified Triton service engineer.

**3** If a service call is required the unit must be fully installed for the call to be booked and the date confirmed. In order to speed up your request, please have your postcode available when booking a service call.

**4** It is essential that you or an appointed representative (who must be a person of 18 years of age or more) is present during the service engineer's visit and receipt of purchase is shown.

**5** A charge will be made in the event of an aborted service call by you but not by us, or where a call under the terms of guarantee has been booked and the failure is not product related (i.e. scaling and furring, incorrect water pressure).

**6** If the product is no longer covered by the guarantee, a charge will be made for the site visit and for any parts supplied.

**7** Service charges are based on the account being settled when work is complete, the engineer will then request payment for the invoice. If this is not made to the service engineer or settled within ten working days, an administration charge will be added.

## Replacement Parts Policy

**Availability:** It is the policy of Triton to maintain availability of parts for the current range of products for supply after the guarantee has expired. Stocks of spare parts will be maintained for the duration of the product's manufacture and for a period of five years thereafter.

In the event of a spare part not being available a substitute part will be supplied.

**Payment:** The following payment methods can be used to obtain spare parts:

**1** By post, pre-payment of pro forma invoice by cheque or money order.

**2** By telephone, quoting credit card (MasterCard or Visa) details.

**3** By website order, [www.tritonshowers.co.uk](http://www.tritonshowers.co.uk)

Triton Plc  
Triton Road  
Nuneaton  
Warwickshire CV11 4NR

## TRITON STANDARD GUARANTEE

Triton Plc guarantee this product against all mechanical and electrical defects arising from faulty workmanship or materials for a period of three years for domestic use only, from the date of purchase, provided that it has been installed by a competent person in full accordance with the fitting instructions.

Any part found to be defective during this guarantee period we undertake to repair or replace at our option without charge so long as it has been properly maintained and operated in accordance with the operating instructions, and has not been subject to misuse or damage.

This product must not be taken apart, modified or repaired except by a person authorised by Triton Plc. This guarantee applies only to products installed within the United Kingdom and does not apply to products used commercially. This guarantee does not affect your statutory rights.

### What is not covered:

**1** Breakdown due to: *a)* use other than domestic use by you or your resident family; *b)* wilful act or neglect; *c)* malfunction resulting from the incorrect use or quality of water or incorrect setting of controls; *d)* faulty installation.

**2** Repair costs for damage caused by foreign objects or substances.

**3** Total loss of the product due to non-availability of parts.

**4** Compensation for loss of use of the product or consequential loss of any kind.

**5** Call out charges where no fault has been found with the appliance.

**6** The cost of repair or replacement of showerheads, hoses, riser rails and/or wall brackets or any other accessories installed at the same time.

**7** The cost of routine maintenance, adjustments, overhaul modifications or loss or damage arising therefrom, including the cost of repairing damage, breakdown, malfunction caused by corrosion, furring, pipe scaling, limescale, system debris or frost.

**Customer Service:** ☎ +44 (0) 87 0067 3333

**Scottish and Northern Ireland**

**Customer Service:** ☎ +44 (0) 84 5762 6591

**Trade Installer Hotline:** ☎ +44 (0) 87 0067 3767  
Fax: +44 (0) 87 0067 3334

[www.tritonshowers.co.uk](http://www.tritonshowers.co.uk)

**E mail:** [technical@triton.plc.uk](mailto:technical@triton.plc.uk)