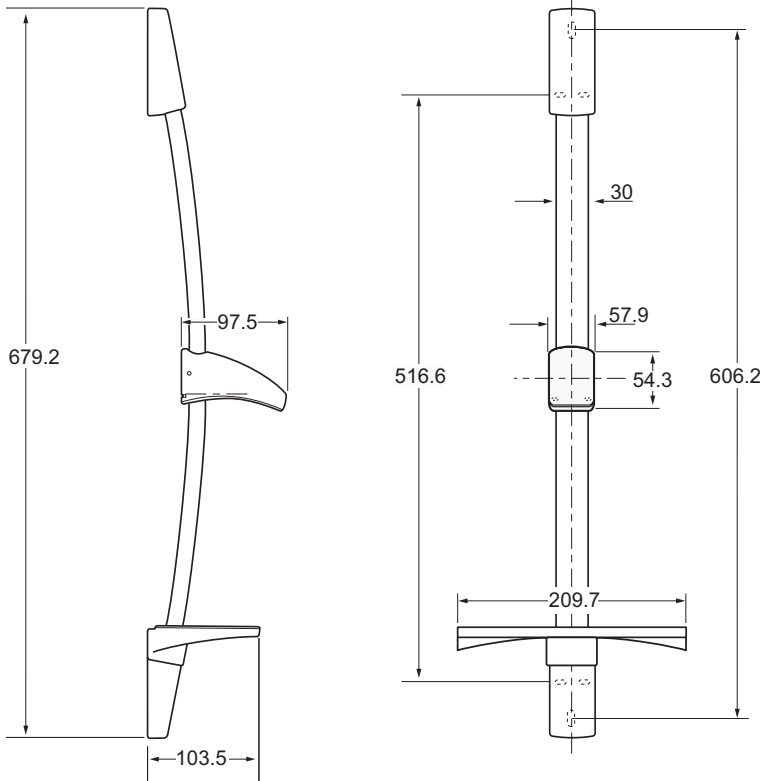


ARC Riser rail



All dimensions listed regarding the product and installation are approximate.
Please read the fitting instructions before proceeding.

Installation Instructions

INSTALLERS PLEASE NOTE THESE INSTRUCTIONS ARE TO BE LEFT WITH THE USER

Fig.1

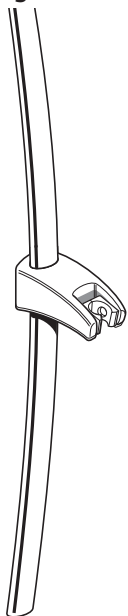


Fig.2

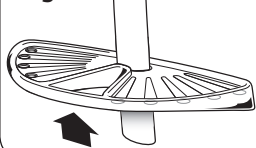


Fig.3

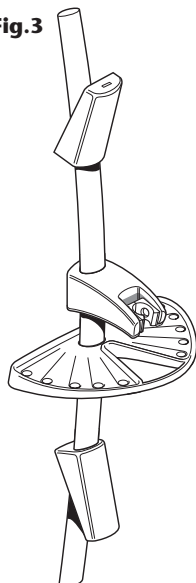


Fig.5

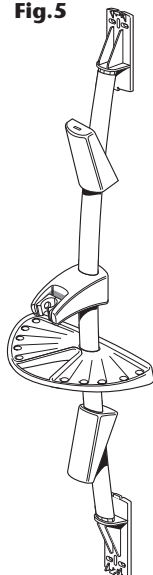
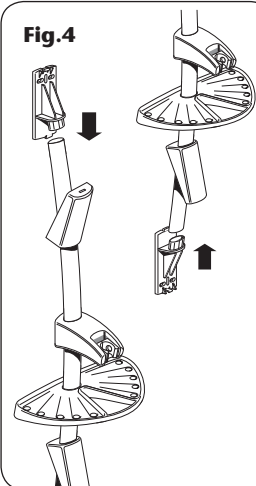


Fig.4



WARNING!

Check there are no hidden cables or pipes before drilling holes for wall plugs. Use great care when using power tools near water. The use of a residual current device (RCD) is recommended.

Decide the position for the rail on the wall within the shower area. Proceed as follows:
Fit the showerhead holder onto the riser rail. The correct orientation of the holder is when the showerhead holder is sloping **DOWN (fig.1)**.
To fit the showerhead holder onto the riser rail unit, press and hold the button on the underneath of the showerhead holder to release the locking mechanism, then slide onto the rail.
Slide the supplied soap dish onto the riser rail below the showerhead holder **(fig.2)**.
Slide the top and bottom finishing trims onto the riser rail **(fig.3)**.

Push the two fixing brackets into the ends of the riser rail **(fig.4)**.

Offer the rail assembly to the wall **(fig.5)**. Using the brackets as templates, mark two upper holes and two lower holes.

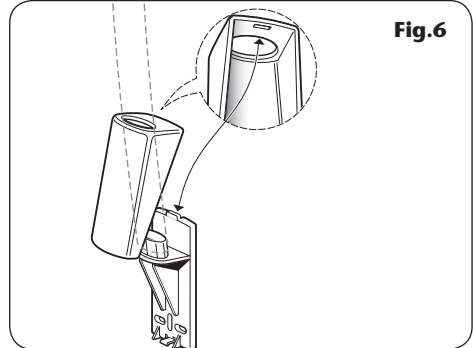
Note: There are four provisions for screws per bracket — select the two most suitable for your requirements. Make sure the rail is aligned vertically.

Drill and plug the wall.
(An appropriate drill bit should be used. If the wall is brick, plasterboard or a soft building block, appropriate wall plugs and screws should be fitted).
Secure the brackets to the wall.

Slide the finishing trims onto the brackets. Make sure the lug on each rail bracket end engages into the slot on the fatter end of each trim before push fitting the thinner ends in place (**fig.6**).

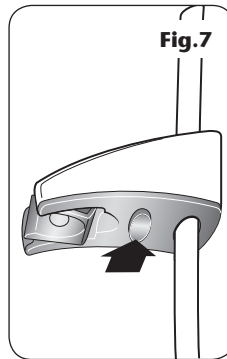
To remove a trim, push a small screwdriver or similar through the slot in the trim end and carefully pull away from the wall bracket.

Slide the soap dish down the rail so that its bracket engages on top of the lower finishing trim.



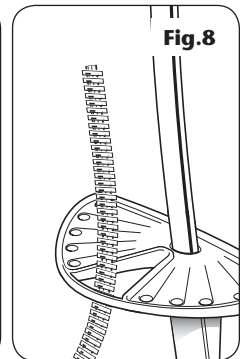
ADJUSTING THE SHOWERHEAD HOLDER

To adjust the height, press the button underneath the holder to release the locking mechanism (**fig.7**). Still pressing the button, move the holder up or down to suit user's requirement.



FITTING THE HOSE

Feed the flexible hose through the soap dish opening (**fig.8**) so the dish acts as a retaining ring (Water Regulations).



SPARE PARTS

Ref. Description **Spares No.**

– Kit complete (excluding hose, showerhead, riser rail)

white 86000850
chrome 86000840

1. Brackets (pair) 22010430

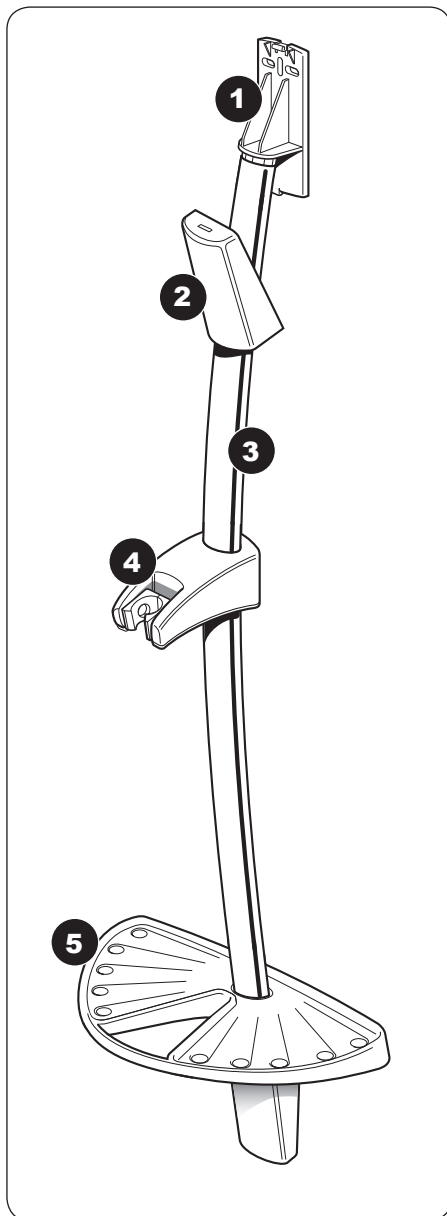
2. Trims (pair)
white 22010440
chrome 22010740

3. Riser rail
aluminium 22011310
chrome 22010750
white 22010450

4. Showerhead holder
chrome 22010730
white 22010460

5. Soap dish – clear 22010470

– Flexible hoses available in the following sizes:
1.00 m in white, chrome and gold
1.25 m in white, chrome and gold
1.75 m in chrome only



Please refer to shower installation and operating instructions for service details