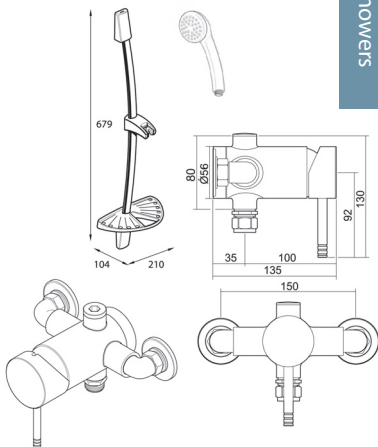


Unichrome Thames Exposed Single Lever

thermostatic mixer shower

mixer showers



Dimensions given are approximate

Temperature Control	Thermostatic
Plumbing System Compatibility	High pressure or low pressure with a pump
Inlet Connections	15mm compression
Water Entry Points	Rising, falling, back
Outlet Connection	1/2" BSP bottom
Minimum Running Pressure/Flow	0.5 Bar @ 8l/min
Maximum Running Pressure	5 Bar
Maximum Static Pressure	10 Bar
Open Outlet Flowrate at 0.5 Bar	5l/min
Maximum Flow with Flow Limiter Fitted	8l/min
Pipe Inlet Centres	150mm
Approvals, Complies with	BS-En 1111, 1287
Guarantee	5 years

Operating Features

- Thermostatic to within 2°C
- Automatic shutdown if hot or cold supplies fail
- Single control for both temperature and flow adjustments
- Flow limiter supplied
- Rub clean showerhead – Single spray pattern

Finish	Code
Chrome	UNTHTHEXSL