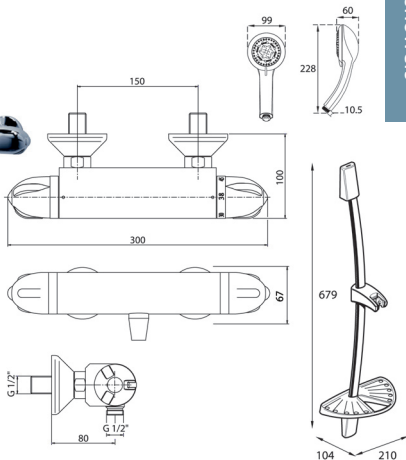


# Unichrome Tyne Bar Mixer

## thermostatic mixer shower



Dimensions given are approximate



|                                        |                                          |
|----------------------------------------|------------------------------------------|
| Temperature Control                    | Thermostatic                             |
| Plumbing System Compatibility          | Low and high pressure                    |
| Inlet Connections                      | 1/2" BSP to 3/4" flat face union         |
| Water Entry Points                     | Back                                     |
| Outlet Connection                      | 1/2" BSP bottom                          |
| Minimum Running Pressure/Flow          | 1 Bar @ 8l/min or 0.1 Bar* (with a pump) |
| Maximum Running Pressure               | 5 Bar                                    |
| Maximum Static Pressure                | 10 Bar                                   |
| Open Outlet Flowrate at 0.1 Bar        | 8l/min                                   |
| Maximum Flow with Flow Limiters Fitted | 12l/min                                  |
| Pipe Inlet Centres                     | 150mm                                    |
| Approvals, Complies with               | BS-En 1111, 1287                         |
| Guarantee                              | 5 years                                  |

### Operating Features

- Thermostatic to within 2°C
- Automatic shutdown if hot or cold supplies fail
- Separate flow and temperature controls
- Adjustable maximum temperature stop
- Numbered temperature control
- Flow limiters supplied
- Rub clean showerhead – 5 spray pattern

| Finish | Code     |
|--------|----------|
| Chrome | UNTYTHBM |