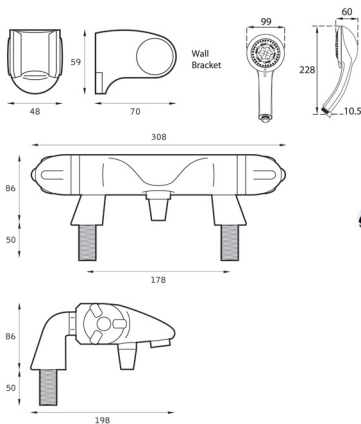


Unichrome Tyne Bath Shower Mixer

thermostatic mixer shower



Dimensions given are approximate



Operating Features

- Thermostatic to within 2°C
- Automatic shutdown if hot or cold supplies fail
- Adjustable maximum temperature stop
- Numbered temperature control
- Flow limiter supplied
- Rub clean showerhead – 5 spray pattern

Finish	Code
Chrome	UNTYTHBSM

Temperature Control	Thermostatic
Plumbing System Compatibility	High pressure or low pressure with a pump
Inlet Connections	3/4" BSP
Water Entry Points	Rising
Outlet Connection	1/2" BSP bottom
Minimum Running Pressure/Flow	0.1 Bar @ 8l/min
Maximum Running Pressure	5 Bar
Maximum Static Pressure	10 Bar
Open Outlet Flowrate at 1 Bar	12l/min
Maximum Flow with Flow Limiter Fitted	8l/min
Pipe Inlet Centres	178mm
Approvals, Complies with	BS-En 1111, 1287
Guarantee	5 years