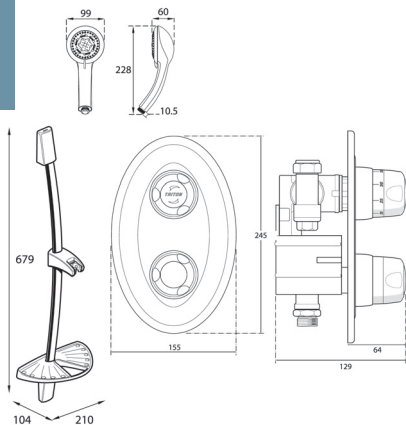


Unichrome Humber Dual Control

thermostatic mixer shower



Dimensions given are approximate



Operating Features

- Thermostatic to within 1°C
- Automatic shutdown if hot or cold supplies fail
- Separate flow and temperature controls
- Numbered temperature control
- Rub clean showerhead – 5 spray pattern

Finish	Code
Chrome	UNHUDCMX

Temperature Control	Thermostatic
Plumbing System Compatibility	Low and high pressure
Inlet Connections	15mm compression
Water Entry Points	Rising, falling, back
Outlet Connection	1/2" BSP bottom
Minimum Running Pressure/Flow	0.1 Bar @ 8l/min
Maximum Running Pressure	5 Bar
Maximum Static Pressure	10 Bar
Open Outlet Flowrate at 0.1 Bar	5l/min
Built-In depth	65mm minimum
Approvals, Complies with	BS-En 1111, 1287
Guarantee	3 years