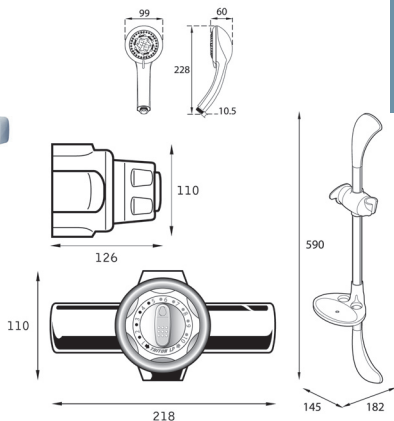


Low Pressure Exposed

thermostatic mixer shower



Dimensions given are approximate

Temperature Control	Thermostatic
Plumbing System Compatibility	Low pressure gravity
Inlet Connections	15mm compression
Water Entry Points	Rising, falling, back
Outlet Connection	1/2" BSP bottom
Minimum Running Pressure/Flow	0.1 Bar @ 8l/min
Maximum Running Pressure	1 Bar
Maximum Static Pressure	10 Bar
Open Outlet Flowrate at 0.1 Bar	6l/min
Pipe inlet centres	146-160mm
Approvals, Complies with	BS-En 1287
Guarantee	3 years

Operating Features

- Thermostatic to within 2°C
- Automatic shutdown if hot or cold supplies fail
- Separate temperature and flow controls
- Adjustable maximum temperature stop
- Rub clean showerhead – 5 Spray pattern
- Adjustable inlets 146mm to 160mm

Finish	Code
White/Chrome	TLP41000