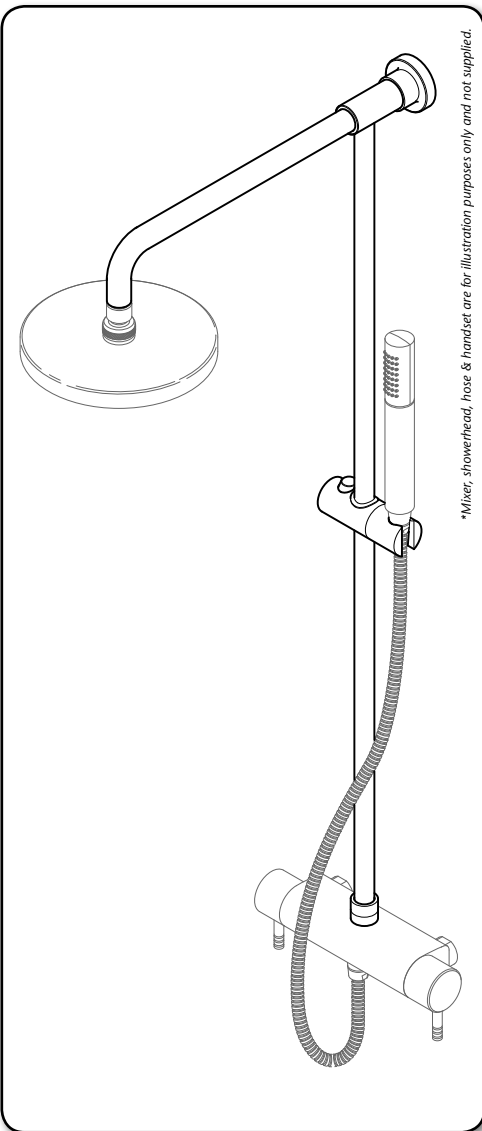


Fixed riser rail kit

Installation and operating instructions

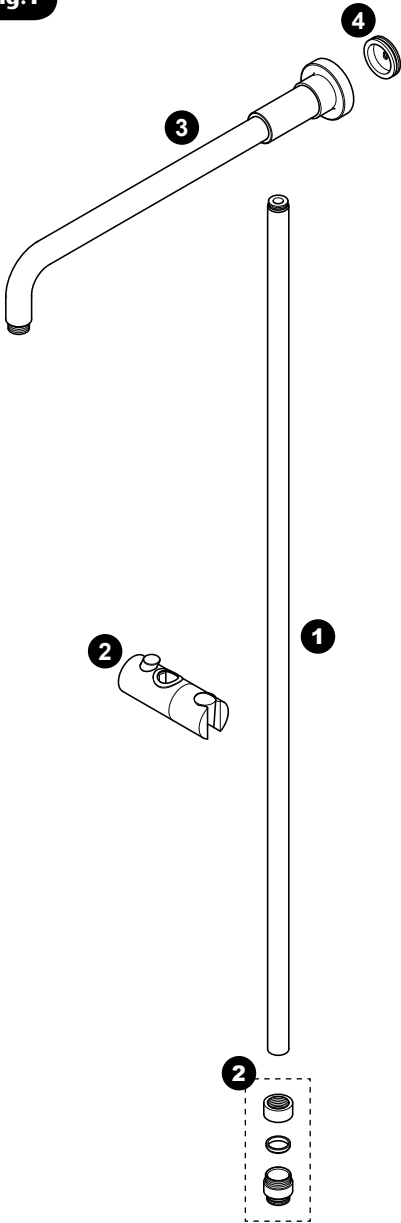


*Mixer, showerhead, hose & handset are for illustration purposes only and not supplied.

INSTALLERS PLEASE NOTE THESE INSTRUCTIONS ARE TO BE LEFT WITH THE USER

MAIN COMPONENTS

Fig.1



Ref. Description

1. Rigid riser rail pipe
2. Handset holder
3. Fixed spray arm
4. Arm mounting plate
5. Collar & outlet assembly

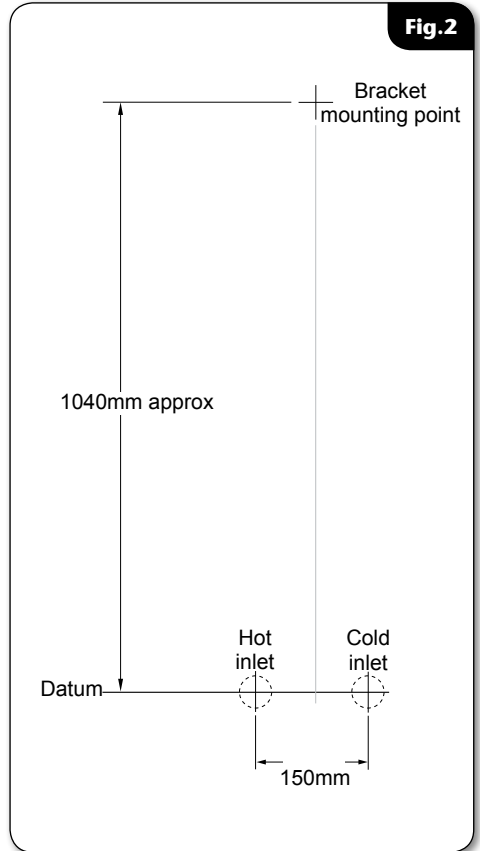
FITTING

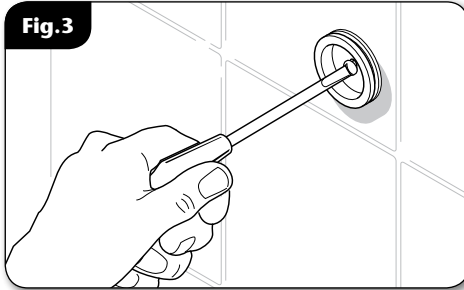
FITTING THE RISER PIPE/FIXED HEAD

- Mark the centre hole for the fixed head mounting bracket at a height of 1040mm (approx) from the inlet datum (**fig.2**).

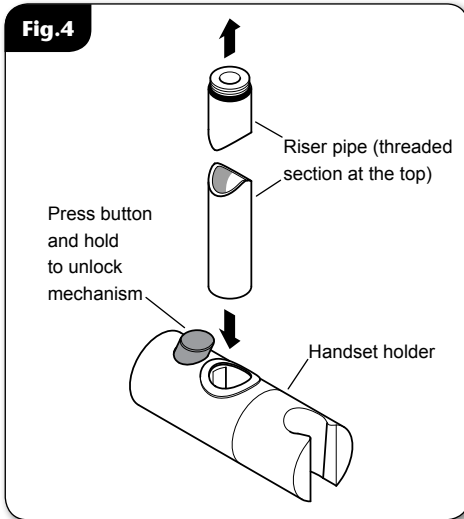
Note: *The elongated hole in the mounting bracket allows for a small amount of adjustment.*

- Drill and plug the wall. (An appropriate drill bit should be used. If the wall is brick, plasterboard or a soft building block, appropriate wall plugs and screws should be fitted).

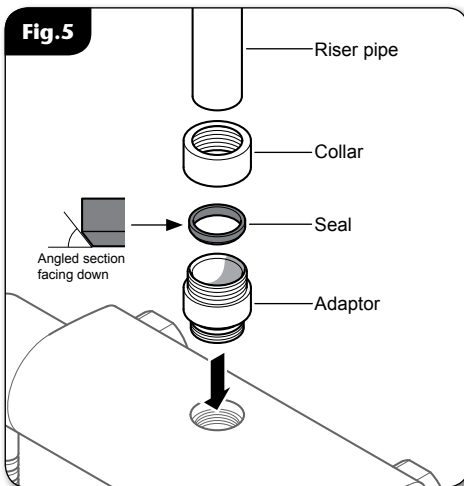




WARNING!
Check there are no hidden cables or pipes before drilling holes for wall plugs. Use great care when using power tools near water. The use of a residual current device (RCD) is recommended.



- Secure the arm mounting plate to the wall (**fig.3**).
- If the handset holder is required, depress the button on the handset holder (**fig.4**), slide the holder onto the pipe. The threaded section of the riser pipe should be at the top.
- Screw the fixed showerhead arm to the top of the riser pipe.
- Install the adaptor into the top outlet of the mixer. Slide the base of the riser pipe into the adaptor (**fig.5**), making sure the sealing washer and locking collar are in place. Do not fully tighten the collar at this time.
- Fit the rear section of the fixed arm over the mounting plate, but do not fully tighten the grub screw at this time. (**fig.6**).
- Adjust the riser pipe position to suit.
- Once correctly positioned, lock the diverter collar. Finger tight should be sufficient.



Note: *There is a small amount of depth adjustment within the collar. Adjust the depth of the bracket before securing in place to the mounting plate.*

- Using a suitable allen key, secure the fixed arm in place by tightening the locking screw.

FITTING

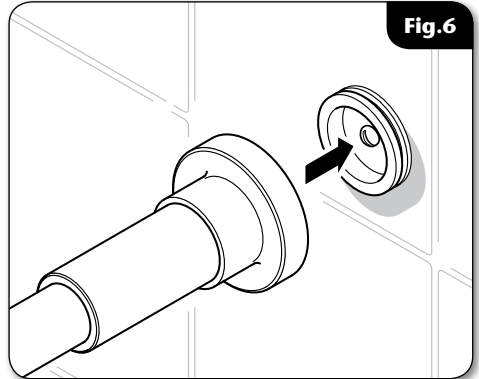
***Fitting the fixed showerhead (not supplied)**

- Screw the fixed head (**fig.7**) to the fixed spray arm. Make sure the sealing washer is in place and screw tight to seal the joint.

***Fitting the hose and handset (not supplied)**

- Connect the one end of the flexible hose to the bottom outlet connector (**fig.8**) on the mixer valve and the other end to the handset, making sure that the seals are in place. Carry out a Leak Test.

IMPORTANT: *It is the conical end of the hose which grips into the holder. The showerhead will not fit in the holder without the hose attached.*



LEAK TESTING

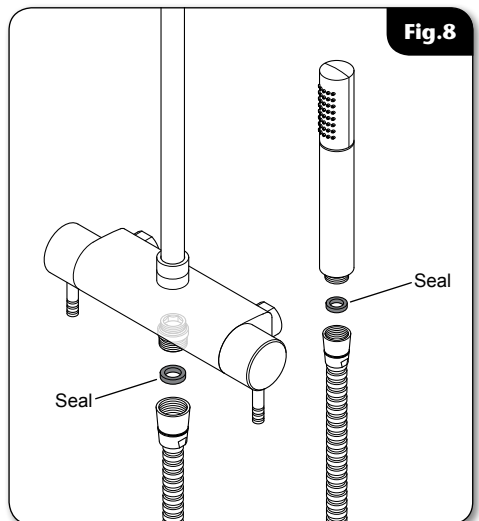
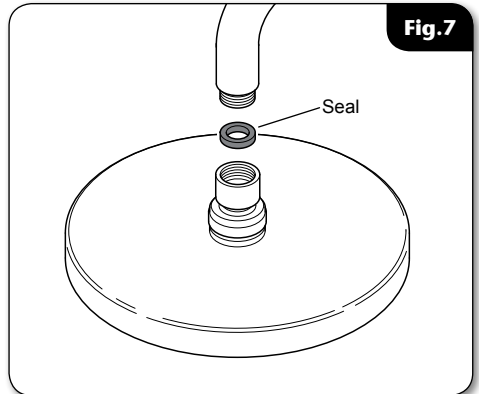
Fit the hose to the outlet and direct it to waste. Open the supplies and test for leaks in the valve connections. Remedy any leaks if necessary

CAUTION: *Exposed metal surfaces may become hot during use.*

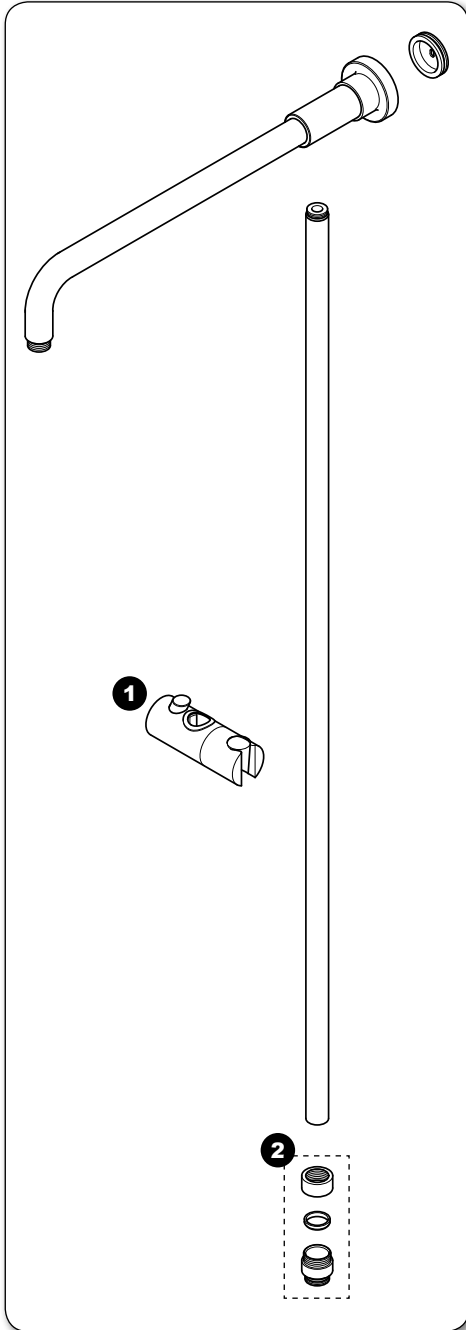
CLEANING

It is recommended that all products are cleaned using warm, soapy water.

DO NOT use abrasive or aggressive chemical cleaning products as this may affect the product surface finish and invalidate your guarantee.



SPARE PARTS



<i>Ref.</i>	<i>Description</i>	<i>Part No.</i>
-	Kit complete	88400003
1.	Handset holder	83308810
2.	Collar & outlet assembly.....	83311520

DIMENSIONS

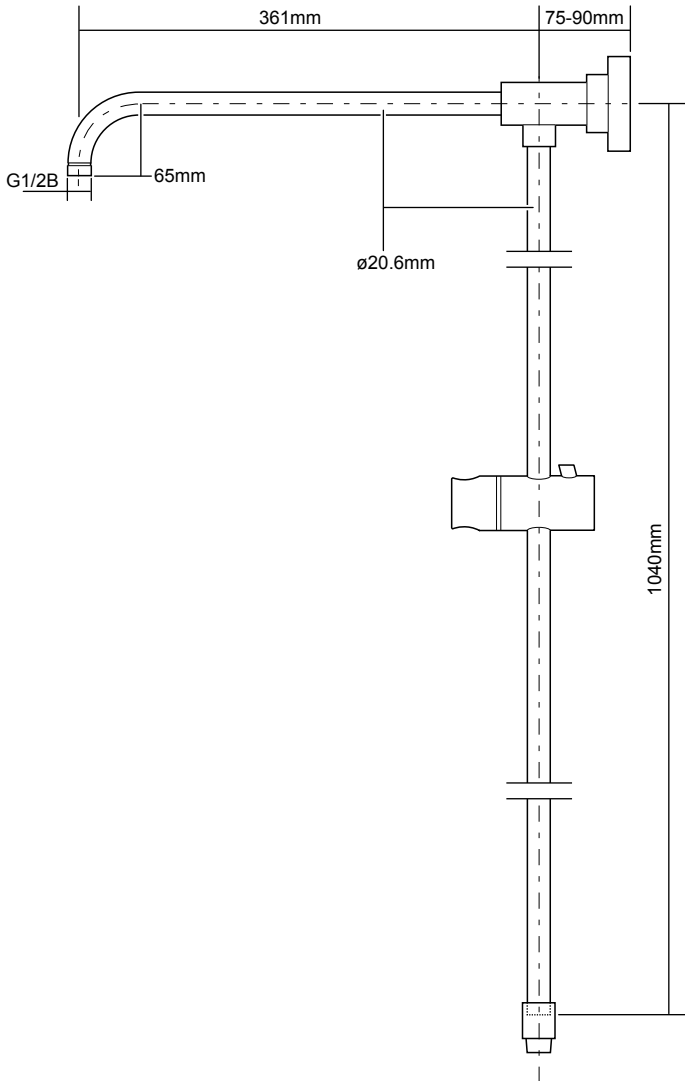


Illustration not to scale.

All dimensions listed in this fitting book regarding the product and installation are approximate.

Please refer to shower installation and operating instructions for service details.