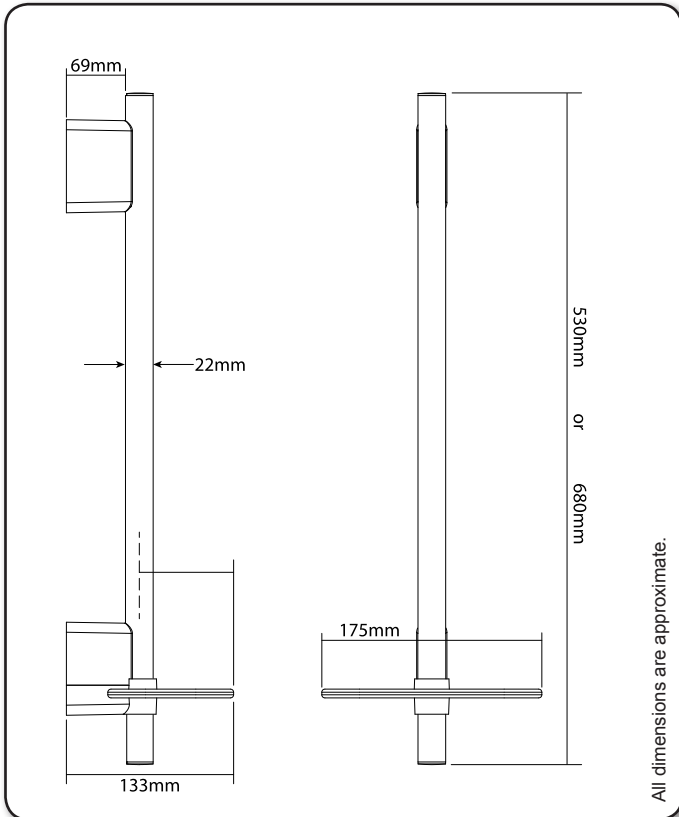


ELLIS

Riser rail assembly

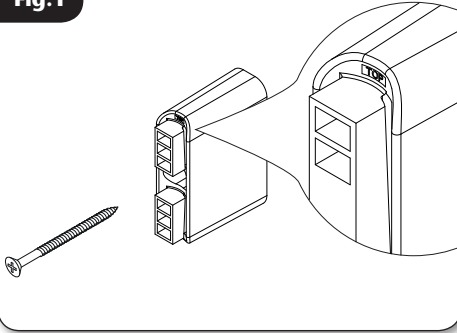


Installation Instructions

INSTALLERS PLEASE NOTE THESE INSTRUCTIONS ARE TO BE LEFT WITH THE USER

FITTING THE RISER RAIL ASSEMBLY

Fig.1



FITTING THE RISER RAIL



WARNING!

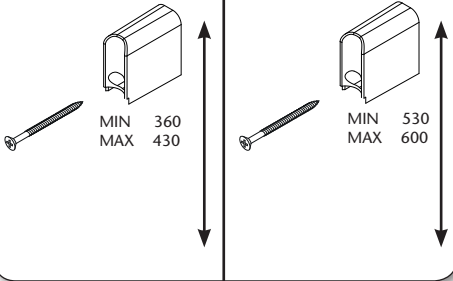
Check there are no hidden cables or pipes before drilling holes for wall plugs. Use great care when using power tools near water. The use of a residual current device (RCD) is recommended.

If there are existing screw holes from a previous installation that fall within the dimensions in **fig.2**, then these may be used instead of drilling new holes.

Fig.2

530mm

680mm



Using the riser rail as a guide, decide its position on the wall and mark the hole for the bottom fixing bracket.

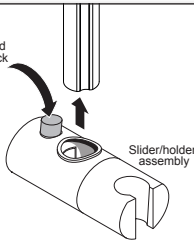
Drill and plug the bottom hole. An appropriate drill bit should be used. If the wall is brick, plasterboard or a soft building block, appropriate wall plugs and screws should be fitted.

Making sure that the riser is vertical, mark the position of the top fixing hole (**fig.1**).

Fit the upper bracket, observing the correct orientation 'TOP' as marked.

Fig.3

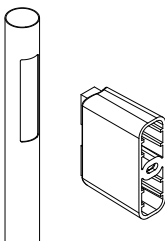
Press and hold button to unlock mechanism



The bottom bracket can also be fitted in a similar manner as above ensuring the screw bosses are facing down (**fig.2**).

Before final assembly, fit the handset holder to the rail choosing either left hand or right hand operation (**fig.3**).

Fig.4



FITTING THE RISER RAIL ASSEMBLY

Position the slot in the top of the riser rail over the top bracket (**fig.4**) and rotate to secure (**fig.5**).

Slide the soap tray over the bottom of the riser rail (engaging the groove in the rail) until it locates with the bottom bracket. Ensure the two screws are fully tightened, or the soap tray will move on the rail (**fig.6**).

FITTING THE HOSE AND SHOWERHEAD*

NOTE: The hose has two different ends. One end has two flats on it, this is the end that should be connected to the showerhead (**fig.8**).

Feed the flexible hose through the hose retainer hole in the soapdish. **The hose retainer MUST be used to comply with Water Regulations.**

NOTE: The holder is slightly tapered and the showerhead and hose will only fit from the top.

IMPORTANT: It is the conical end of the hose which grips into the holder. The showerhead will not fit in the holder without the hose attached.

Screw the flexible hose to the shower outlet and showerhead, making sure the supplied washers are in place at both ends of the flexible hose and the correct ends are fitted to the shower and showerhead (**fig.7**).

Place the showerhead into the holder and check that it fits correctly.

Fig.5

Fig.6

Fig.7

Fig.8

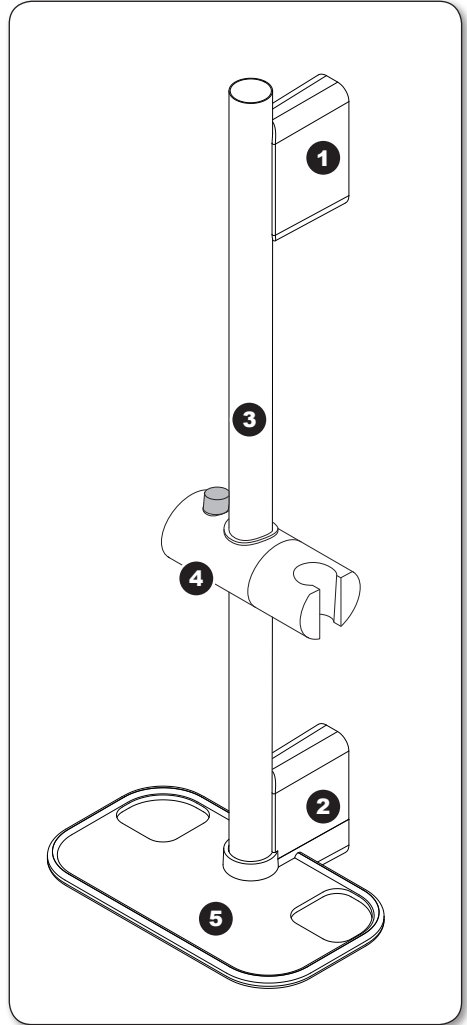
*Not supplied unless otherwise stated.

SPARE PARTS

Ref. Description	Part Number
1. Top Bracket	
<i>white</i>	7054765
<i>chrome</i>	7054901
2. Bottom Bracket	
<i>white</i>	7054776
<i>chrome</i>	7054903
3. Riser rail 530mm	
<i>polished</i>	88800042
<i>chrome</i>	88800047
3. Riser rail 680mm	
<i>polished</i>	88800046
<i>chrome</i>	88800048
4. Showerhead holder/slider	
<i>white</i>	83313470
<i>chrome</i>	83314210
5. Soap dish	
<i>white</i>	7054766
<i>clear</i>	7054902

Flexible hoses available in the following sizes:

- 1.00m in white, chrome and gold
- 1.25m in white, chrome and gold
- 1.75m in chrome only



Please refer to shower installation and operating instructions for service details.