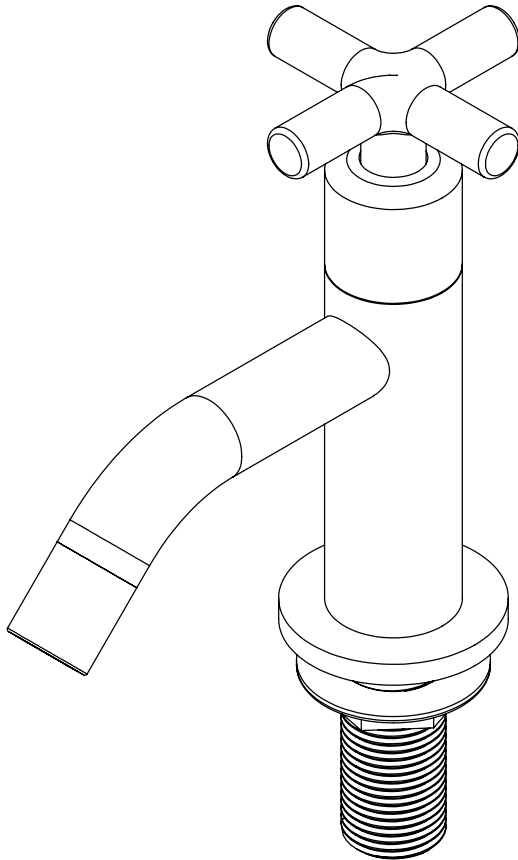


TRITON

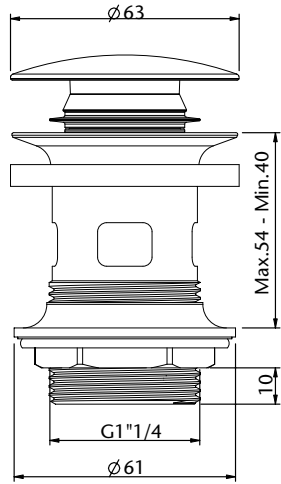
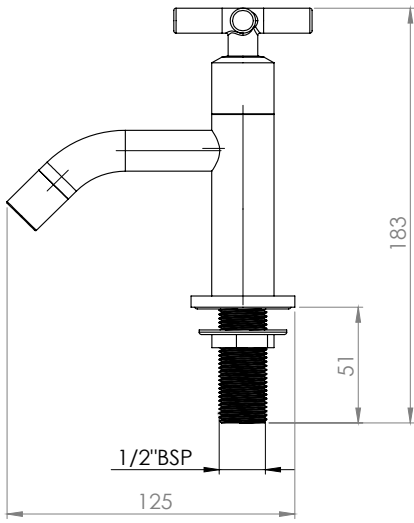
86005380 BASIN TAPS



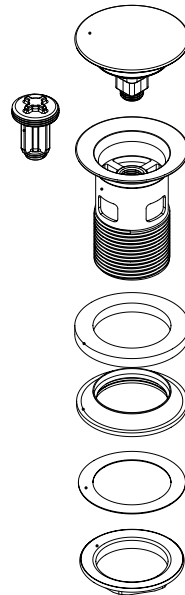
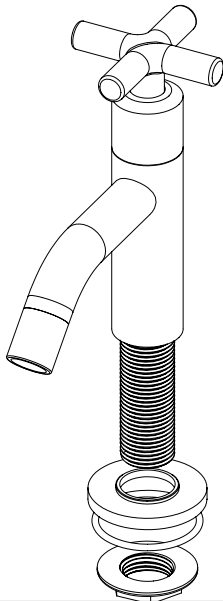
**Installation and
operating instructions**

2181424A - July 2017

INTRODUCTION



MAIN COMPONENTS



INTRODUCTION

This guide contains all the necessary fitting instructions for your basin taps.

Please read this guide carefully before beginning your installation.

Care taken during the installation will provide a long life and trouble free operation from your taps.

COMPONENTS

Check that all components are correct; the box contains:

- Tap (2 off)
- Sealing washer (4 off)
- Lock nuts (2 off)

SITE REQUIREMENTS

The installation must be in accordance with water supply (water fittings) regulation 1999 and/or local Bylaws.

Before installing taps flush all pipework to remove debris.

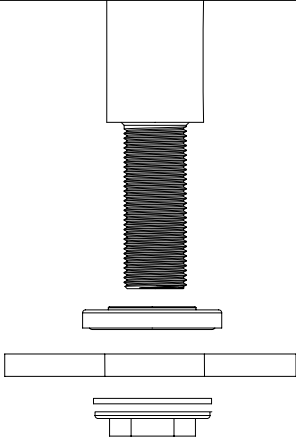
Maximum static pressure:	10 Bar
Running Pressure::	0.1 to 5.0 Bar

This tap is designed for high pressure systems found in the UK, but can be installed with low pressure gravity water systems with reduced flow rates.

These taps are suitable for all water pressures and should be fitted in accordance with Water Regulations.

For effective operation of the internal seals, the maximum static pressure must not be exceeded.

Fig.1



INSTALLATION

IMPORTANT

Before starting the installation flush the pipework to remove debris.

DO NOT choose a position where the tap could become frozen.

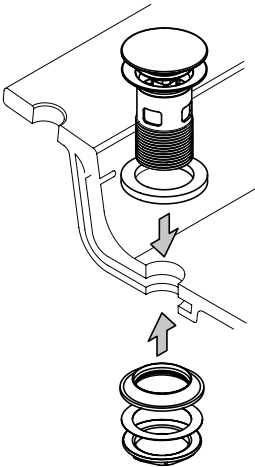
INSTALL BASIN TAP

Before starting the installation check that all components are present.

Remove the retaining nut and washer and push the tap through the hole in the basin, shown in (fig.1).

Connect the hot and cold supplies to the taps using standard BSP tap connectors ($\frac{1}{2}$ " connectors).

Fig.2



INSTALL CLICK WASTE

Before starting the installation check that all components are present.

Remove the retaining nut and base seals from the slotted waste and push the waste through the hole in the basin.

Re-fit the seals and secure the waste with the retaining nut (fig 2).

LEAK TESTING

Switch on the supplies at the mains.
Turn the tap on and test for leaks
in the pipe connections and waste.
Remedy if required.

FLOW RATE

Flow Rate 3.0 Bar	11.5 l/min
-------------------	------------

CLEANING

Triton recommends that all products
are cleaned using warm, soapy water.

Do not use abrasive or aggressive
chemical cleaning products as this may
affect the product surface finish and
and invalidate your guarantee.

OPERATION CLICK WASTE

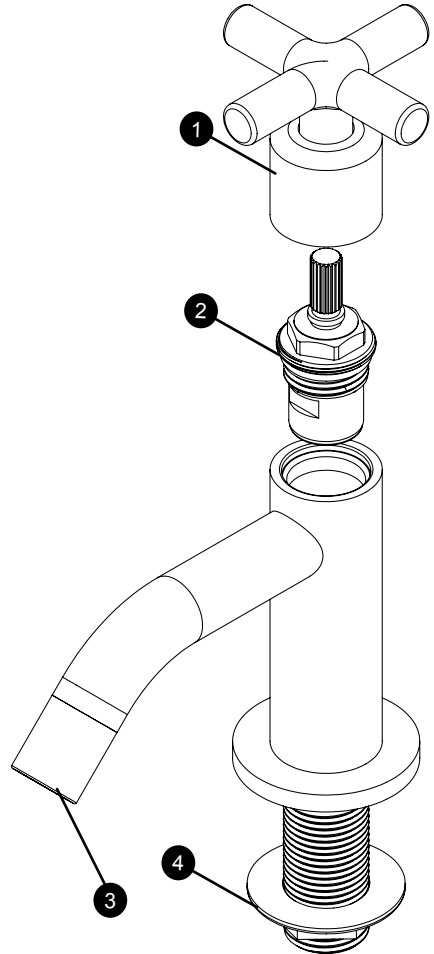
The click waste operates by pressing
the chrome cap; push to close and
push to open.

SPARE PARTS

Replacement parts can be ordered from Triton Customer Service.

Fig. 1

Ref. number	Description	Part
1	Handle Assembly	83316440
2	Flow Control Cartridge	
	Hot.....	83316290
	Cold	83316300
3	Flow Straightener.....	83316370
4	½" Nut and Washer Pack	83316250
5	Click Waste.....	83316470



To check the product suitability for commercial and multiple installations, please contact Triton's specification advisory service before installation.

Telephone: 02476 378495

Facsimile: 02476 324504

E mail: technical@tritonshowers.co.uk

UK SERVICE POLICY

In the event of a product fault or complaint occurring, the following procedure should be followed:

1. Telephone Customer Service having available, your details including post code and the model number together with the date of purchase and, where applicable, details of the particular fault.
2. If required, the Customer Service Advisor will arrange for a replacement part or product to be sent.
3. If the product is no longer covered by the guarantee, contact Triton for advice.
4. Should proof of purchase not be available the customer may be expected to pay for any parts or repair.
5. If a debt is outstanding from a previous visit, or from any other Triton purchase, Triton reserves the right to withhold service or supply of replacement parts until this debt has been settled.
6. Triton takes the health, safety and wellbeing of its employees very seriously and expects customers to treat all staff members with respect. Should any employee feel threatened or receive abuse, either verbally or physically, Triton reserves the right to withhold service.

Replacement Parts Policy

Availability: It is the policy of the manufacturer to maintain parts availability for the duration of production and a period of two years thereafter. Spare parts are available via our website, www.tritonshowers.co.uk, or by telephoning Triton Customer Service Spares Department. Payment should be made by credit/debit card (excluding American Express or Diners Card). Payment can also be made by pre-payment of a pro forma invoice by cheque or money order. Telephone orders are based on information given during of the call.

Before contacting Triton, please verify your requirements using the information contained in the user guide. Triton cannot accept liability for incorrect part identification.

TRITON STANDARD GUARANTEE

Triton guarantee the product against all manufacturing defects for a period of 5 years for domestic use only, from the date of purchase, provided that it has been installed by a competent person in full accordance with the fitting instructions.

Any part found to be defective during this guarantee period we undertake to repair or replace at our option without charge so long as it has been properly maintained and operated in accordance with the instructions, and has not been subject to misuse, damage or the effects of limescale build up. This product must not be taken apart, modified or repaired except by a person authorised by Triton.

This guarantee applies only to products installed within the United Kingdom and does not apply to products used commercially. This guarantee does not affect your statutory rights.

What is not covered:

1. Breakdown due to:
 - a) use other than domestic use by you or your resident family.
 - b) wilful act or neglect.
 - c) any malfunction resulting from the incorrect use or quality of water or incorrect setting of controls.
 - d) failure to install in accordance with this installation guide.
2. Claims for missing components once the product has been installed.
3. Repair costs for damage caused by foreign objects or substances.
4. Total loss of the product due to non-availability of parts.
5. Compensation for loss of use of the product or consequential loss of any kind.
6. The cost of routine maintenance, adjustments, overhaul modifications or loss or damage arising therefrom, including the cost of repairing damage, breakdown, malfunction caused by corrosion, furring, or limescale build up.
7. Charges where the water supply cannot be isolated, this includes consequential losses arising from unserviceable supply valves.

Triton Showers

Triton Road

Nuneaton

Warwickshire CV11 4NR

Triton is a division of Norcros Group (Holdings) Limited

Customer Service: 024 7637 2222

Trade Installer Hotline: 024 7637 8344

Fax: 024 7632 4504

E-mail: serviceenquiries@tritonshowers.co.uk

For the latest Terms & Conditions, please see:
www.tritonshowers.co.uk