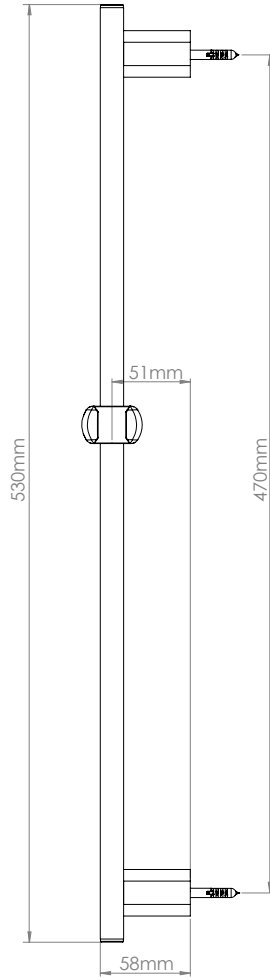
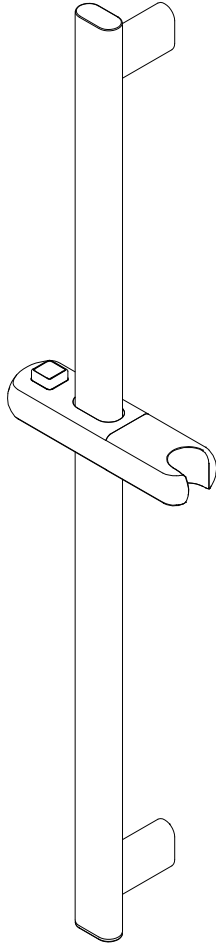


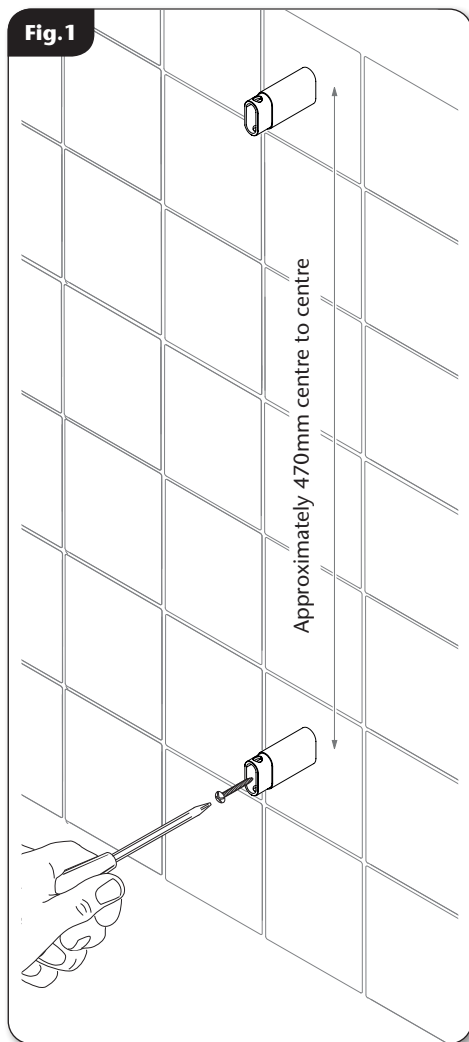
Velino Riser Rail Kit



Dimensions are approximate

INSTALLERS PLEASE NOTE THESE INSTRUCTIONS ARE TO BE LEFT WITH THE USER

Fig. 1



WARNING!

Check there are no hidden cables or pipes before drilling holes for wall plugs. Use great care when using power tools near water. The use of a residual current device (RCD) is recommended.

IMPORTANT: This riser rail assembly is not supplied with a hose retainer. Water regulations require the fitting of a double check valve or similar device, in the supply pipework to prevent backflow.

Decide on the position of the rail within the shower area and proceed as follows.

Fig. 1

Position the bottom bracket on the wall and mark the centre hole. Remove the bracket then drill and plug the wall.

An appropriate drill bit should be used. If the wall is brick, plasterboard or a soft building block, appropriate wall plugs and screws should be fitted.

Replace the bracket to the wall and secure in place.

Note: The locating hole is elongated to allow for some adjustment.

Measure approximately 470mm from the centre of the bottom bracket and drill the hole for the top bracket. Fix to the wall.

Fig. 2

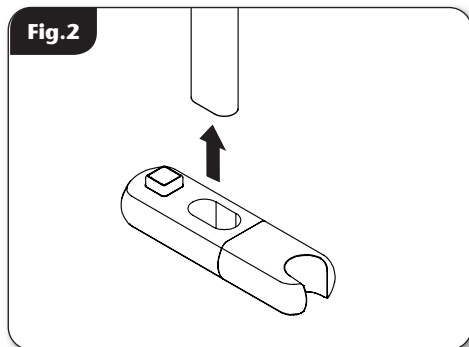


Fig. 2

Slide the shower head holder on to the rail.

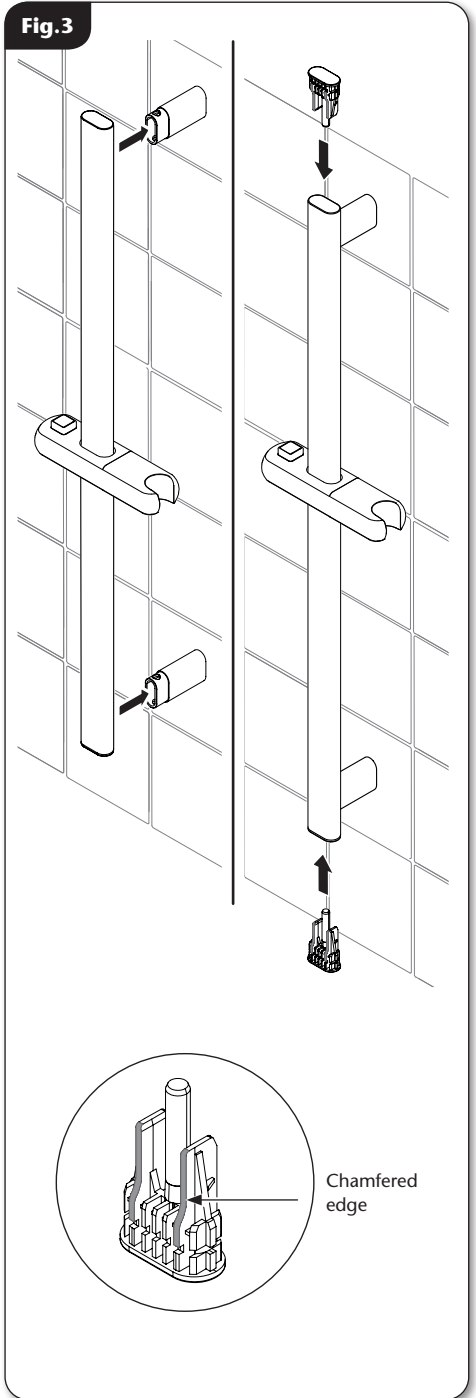
Press the button to allow for movement up and down the rail.

Fig.3

Place the rail onto the brackets.

Insert the rail ends, ensuring the pin goes through the hole on the rail.

Note: The rail ends will only fit in one way - ensure the chamfered edge is to the front of the rail.



Visit www.tritonshowers.co.uk/shower-accessories to find genuine Triton shower accessories.

For latest service policy and contact details visit www.tritonshowers.co.uk