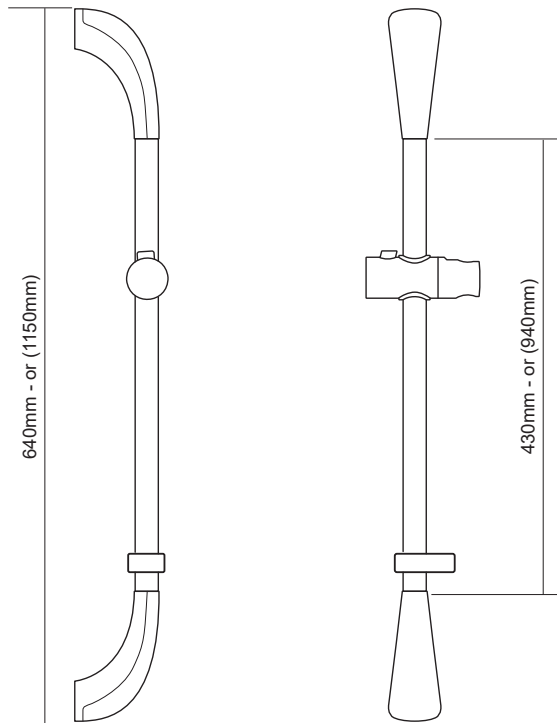


# ETHAN

## Riser Rail Assembly

88900062



All dimensions are approximate.

# Installation Instructions

INSTALLERS PLEASE NOTE THESE INSTRUCTIONS ARE TO BE LEFT WITH THE USER

2181621B - June 2025

## INSTALLING THE ETHAN RISER RAIL ASSEMBLY

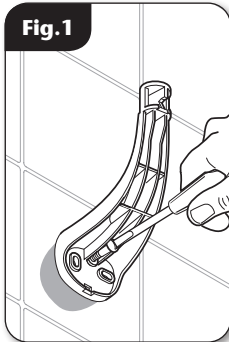


Fig. 1

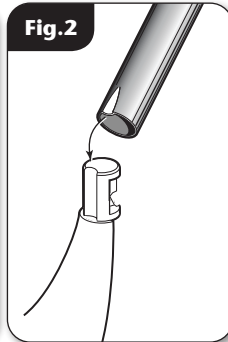


Fig. 2

### FITTING THE RISER RAIL

#### WARNING!

**Check there are no hidden cables or pipes before drilling holes for wall plugs. Use great care when using power tools near water. The use of a residual current device (RCD) is recommended.**

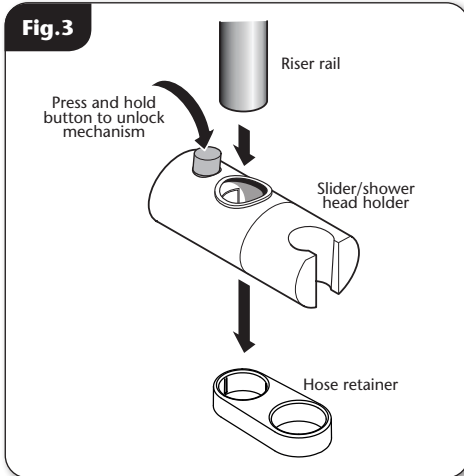


Fig. 3

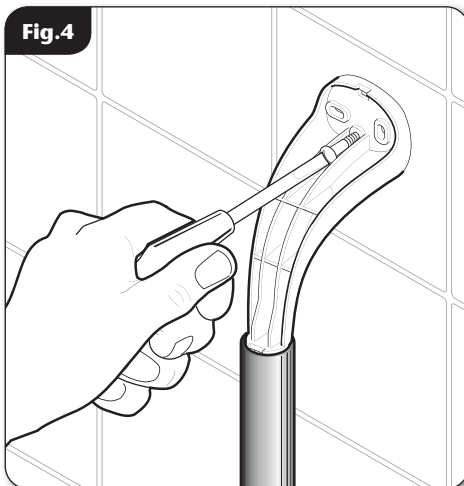


Fig. 4

This riser rail pack includes a choice of brackets. Please use the brackets that most closely cover the screwholes left by the previous Triton riser rail. **Installation graphics are common to both bracket sets.**

Decide on the position for the rail on the wall within the shower area and proceed as follows.

Offer one of the brackets to the wall for the lower position only. Note there are three holes in the brackets but two screws will usually be enough. Mark the centre hole and one of the other two.

Drill and plug the wall. An appropriate drill bit should be used. If the wall is brick, plasterboard or a soft building block, appropriate wall plugs and screws should be fitted.

Replace the bracket to the wall and secure with the screws supplied (**fig. 1**).

Locate the rail onto this lower bracket (**fig. 2**), making sure the rail engages fully on the bracket. Check that the indent in the riser rail engages into the cut-out on the bracket end.

Locate the second bracket on top of the rail. Check the rail is vertical then mark the centre hole and one of the other two holes. Remove the bracket and rail. Drill and plug the wall.

Fit the slider/ shower head holder and hose retainer onto the riser rail. The slider can be fitted with the shower head on either the left or right of the riser rail (**fig. 3**).

**IMPORTANT: The hose retainer should be used to comply with Water Regulations. If the hose retainer is not used, Water Regulations require the fitting of a double check valve or similar device in the supply pipework to prevent backflow.**

## INSTALLING THE ETHAN RISER RAIL ASSEMBLY

Place the rail onto the installed lower bracket. Replace the upper bracket onto the rail and secure the bracket to the wall with the screws supplied (**fig.4**).

Place a trim cover onto each bracket. Make sure the large tab at the narrow end of the trim cover fits into the slot between the rail and bracket before pushing and clicking the other end into place (**fig.5**).

Should the need arise, the trim covers can be removed by inserting a screwdriver into the slot and carefully levering off the trim.

### FITTING THE HOSE AND SHOWER HEAD

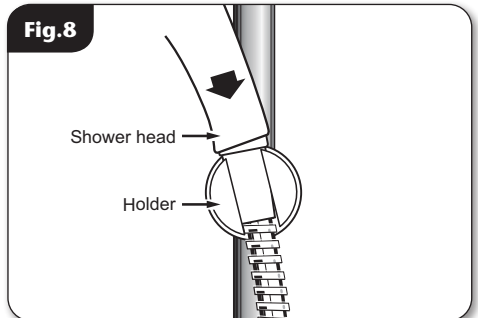
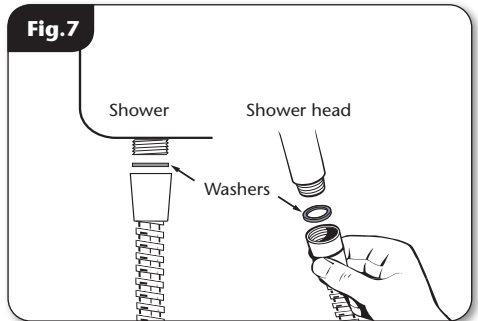
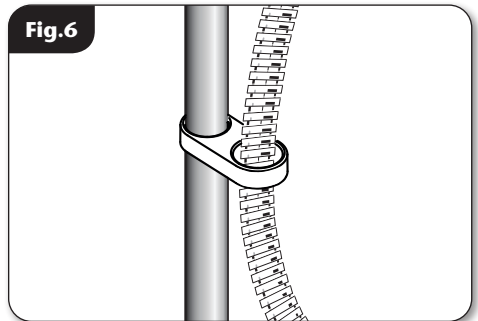
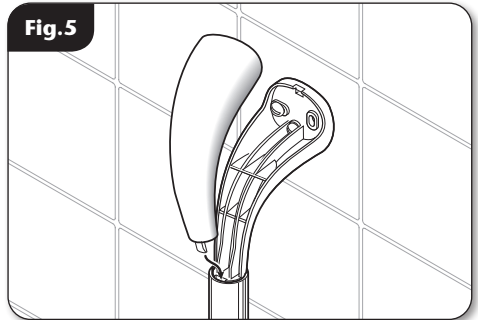
Feed the flexible hose through the hose retainer (**fig.6**).

Screw the hose onto the shower outlet and shower head (**fig.7**), making sure the supplied washers are in place at both ends of the flexible hose.

Place the shower head into the holder (**fig.8**) and check that it fits correctly.

**Note:** The holder is slightly tapered and the shower head and hose will only fit from one direction.

**IMPORTANT:** It is the conical end of the hose which grips into the holder. The shower head will not fit in the holder without the hose attached.



## **SPARE PARTS**

To purchase a genuine Triton spare part for your product, please visit

**[www.tritonshowers.co.uk/spares](http://www.tritonshowers.co.uk/spares)**

for product codes and prices.

Alternatively please call our

Customer Experience team on

**024 7637 2222** to order direct.

Please have your model name available.