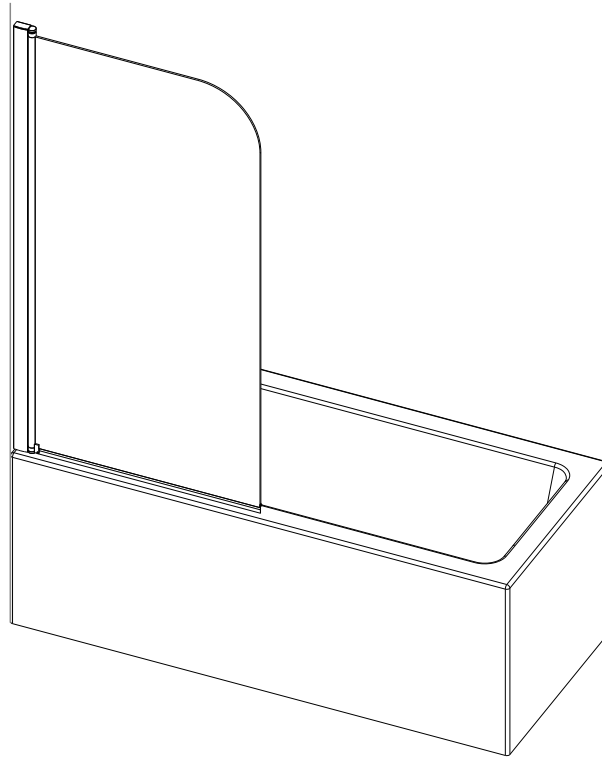


SINGLE CURVED PANEL BATH SCREEN INSTALLATION GUIDE



***Please read these instructions carefully and keep for future reference.
Incorrect fitting will invalidate the guarantee***



SAFETY




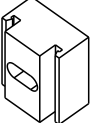
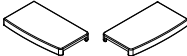
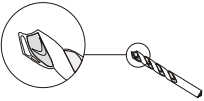


- Handle glass with great care. Although glass is very tough, sharp impacts can damage both the glass and metal frame.
- Make sure there are no hidden pipes or cables hidden in the wall where you intend to drill
- Wear safety goggles, shoes and appropriate clothing



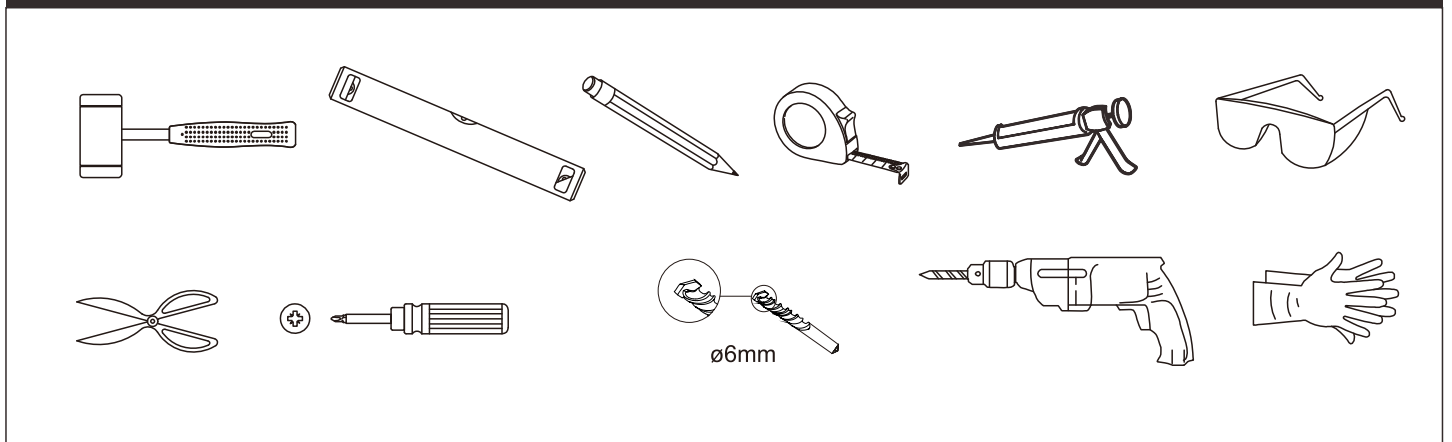
BEFORE INSTALLATION

1. Ensure your bath is level before fitting. This screen is not designed to fit on baths with stepped fronts, roll top rims or integral soap dishes.
2. The screen should be fitted on tiled walls which are sealed with waterproof grout.
3. The tiling or other wall finishing should be effectively sealed at the bath edges.
4. Always check very carefully that all components are present and profiles are vertical.
5. To Avoid damage, use the opened out packaging to build the screen on
Note: The screws and wall plugs supplied are for masonry walls. For lightweight walls i.e. stud partitions, plasterboard etc. use alternative fixings

FIXING KIT COMPONENTS

3 	3 	3 	3 
2 	1  $\varnothing 3\text{mm}$	3 	3 

TOOLS REQUIRED



IMPORTANT !

This bath screen has been designed so that if you are replacing a bath screen you can use the same fixing points in the wall. Follow installation guide STAGE 1

If you are installing this screen and need to drill new holes in the wall (no existing holes) then follow installation guide STAGE 2

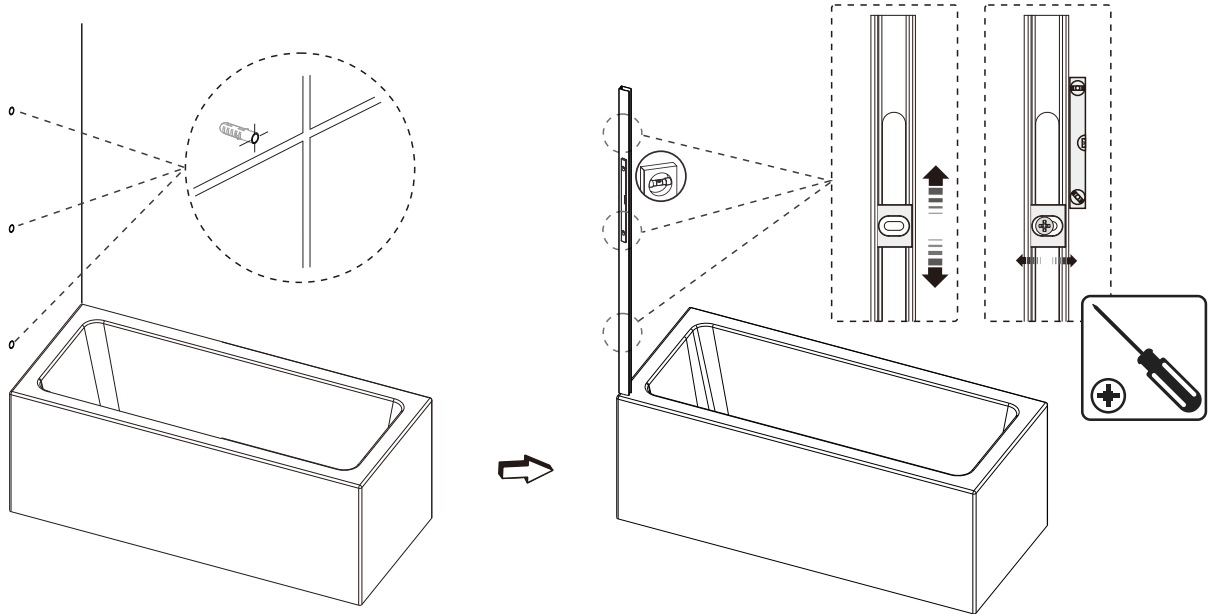
STAGE 1 - For installation using existing holes in the wall

Check the condition of the existing wall plugs and replace if required with supplied wall plugs which are for masonry walls. For lightweight walls i.e. stud partitions, plasterboard etc. use alternative fixings.

NOTE: Only silicone the wall profile after fixing to the wall (see sealing section).

Do not silicone on the back of the wall profile before fixing to the wall.

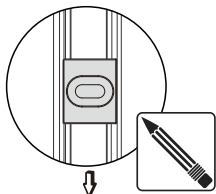
When STAGE 1 is complete, skip to STAGE 3



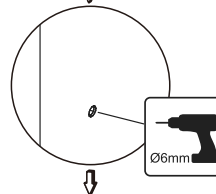
STAGE 2 - For installation where holes in wall need to be drilled

- Ensure profile is plumb to the wall and positioned to ensure the bathscreen will be on the inside edge of the bath.
- Move the adjusting block so it is located in the correct position for optimum fixing stability, 100mm down from the top of the profile, 100mm up from the bottom of the profile and centered on profile.

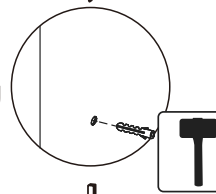
C1. Mark the center of each slot



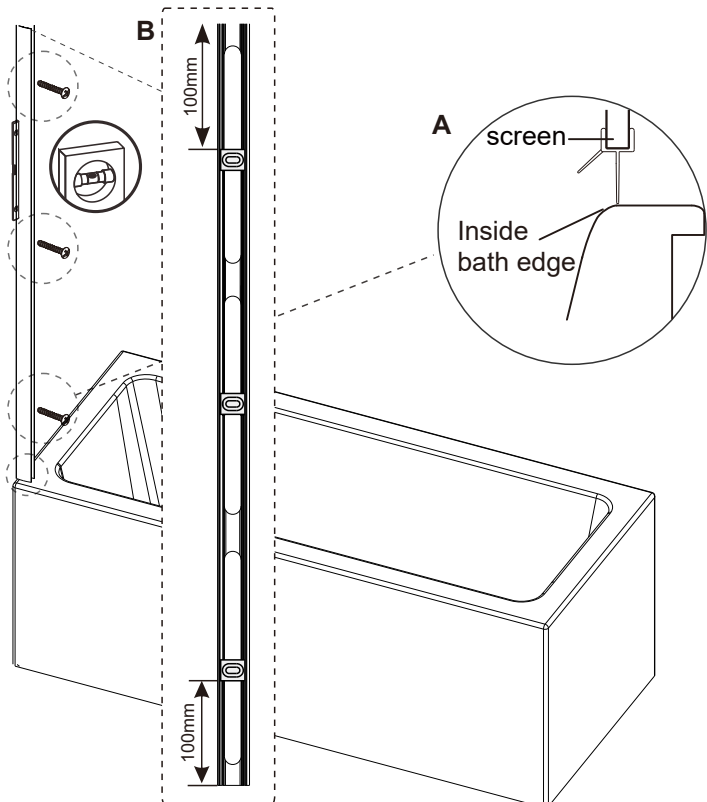
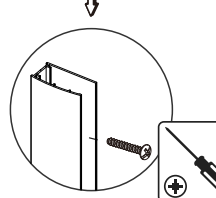
C2. Drill using 6mm bit



C3. Insert wall plug

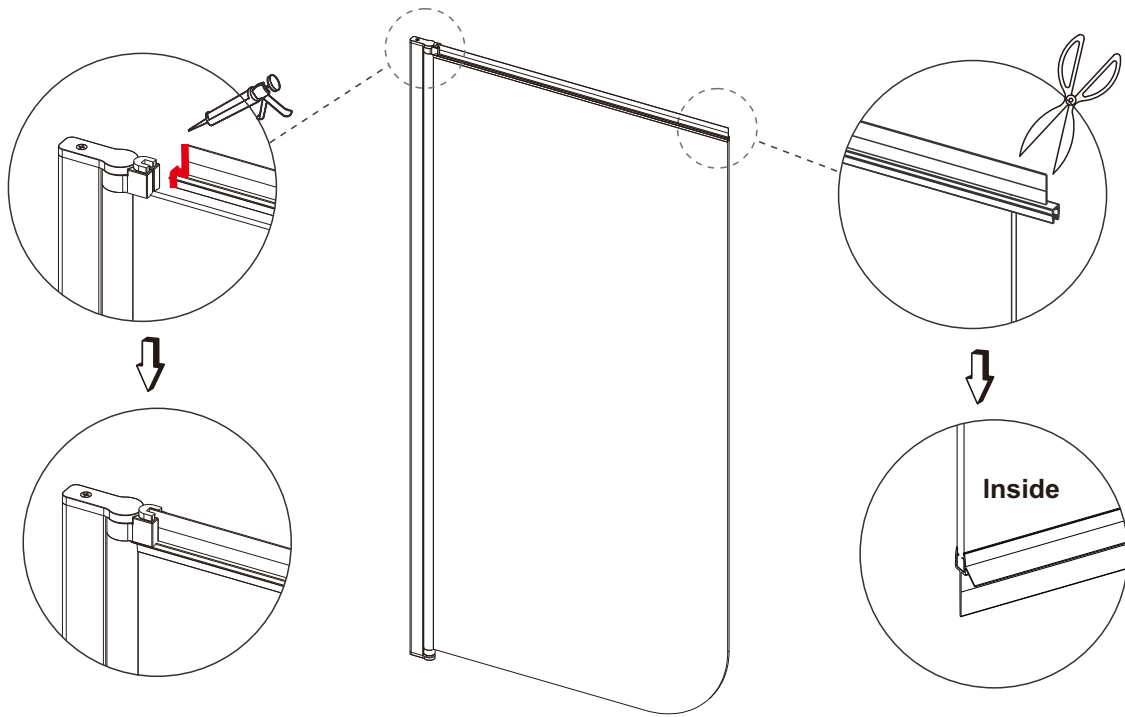


C4. Fix the profile using 4 x 50mm screws provided.



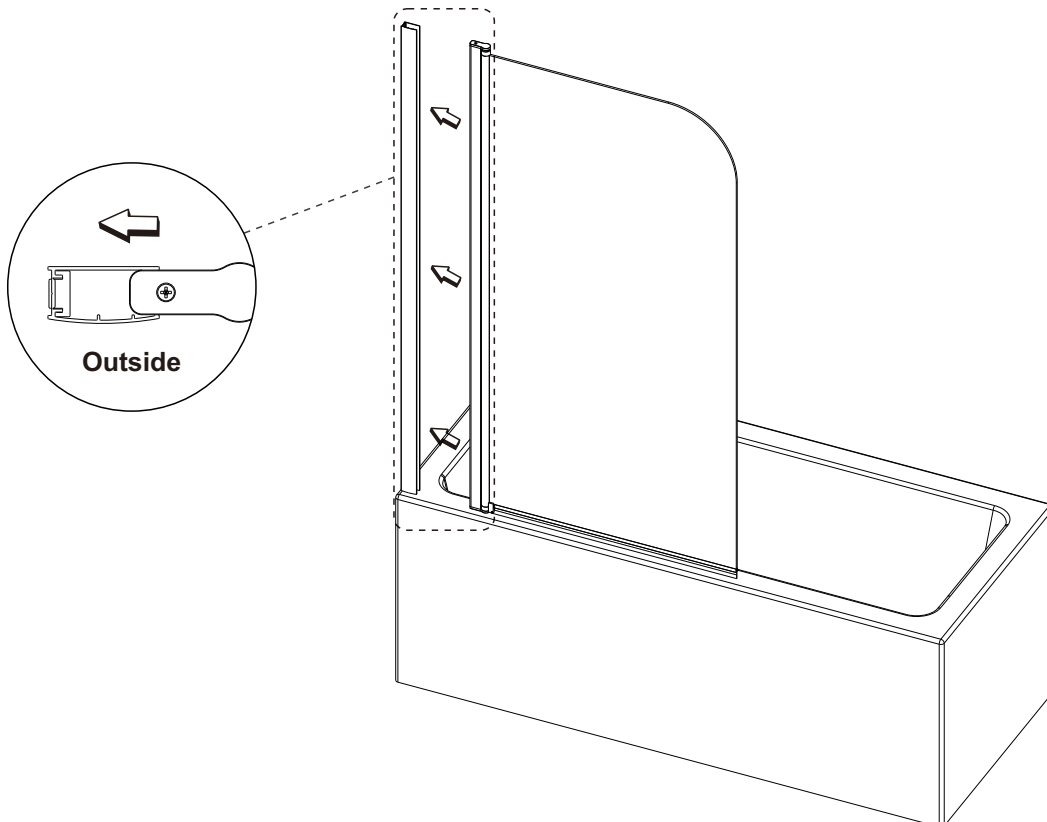
STAGE 3

Apply silicone to the edge of the bottom clear seal as shown below.
Fit the bottom clear seal on to the bottom of the bath screen.
Ensure the fin is on the inside of the bath screen.



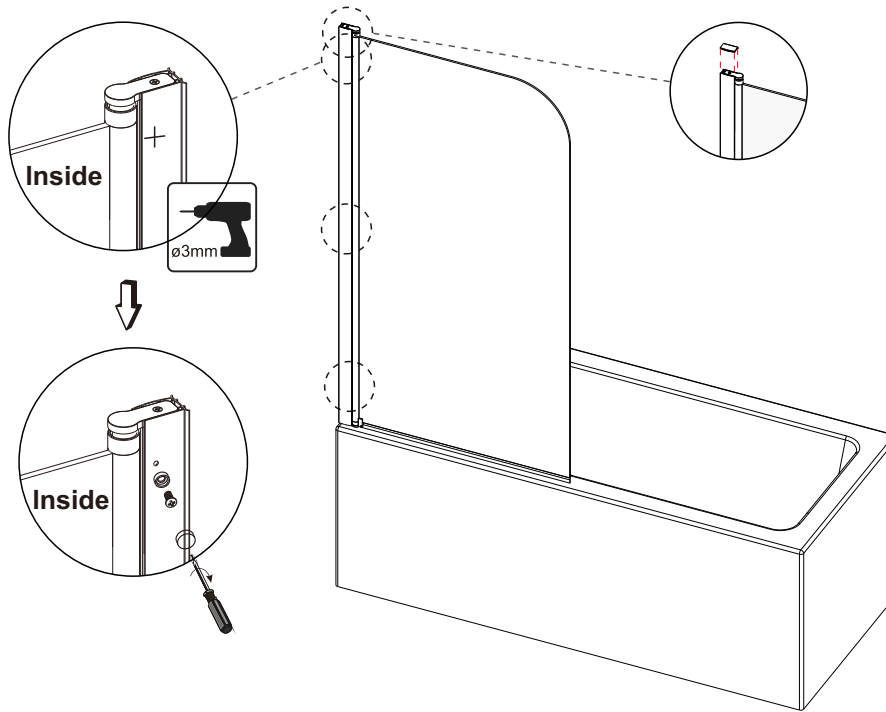
STAGE 4

Insert glass panel into the wall profile.
Make sure that the bottom seal is running parallel to the top of the surface of the bath.
Note: Maximum adjustment of the glass panel in the wall profile is 15mm.



STAGE 5

Drill 3 holes top, middle and bottom through the wall profile and hinge upright using a 3mm steel drill bit. Using the screws and screw cover clips and screw cover caps fix the hinge upright to the wall profile in 3 places. Fit the wall profile cover cap on the wall profile.



STAGE 6

Before sealing make sure all surfaces are clean, dry and free from any residue such as grout. Use neutral cure anti bacterial silicone and applicator gun to seal between the wall and the wall profile.

DO NOT USE THE BATH SCREEN FOR 24 HOURS AFTER SEALING

Outside:

Seal top to bottom between the wall profile and the wall. Seal along the full length of the joint between the glass and top of bath. Seal 50mm up from the bottom where the wall profile meets the glass.

Inside:

Seal top to bottom between the wall profile and the wall. Seal 50mm up from the bottom where the wall profile meets the glass.

