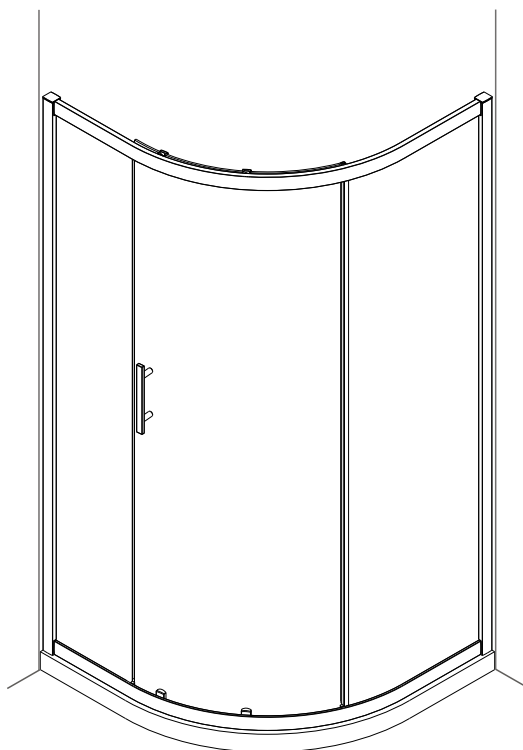


# 1 DOOR QUADRANT INSTALLATION GUIDE



***Please read these instructions carefully and keep for future reference. Incorrect fitting will invalidate the guarantee***



## **SAFETY**



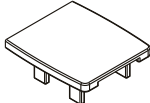
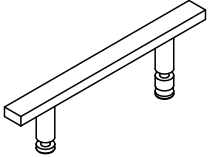
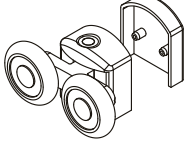
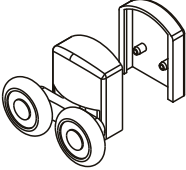
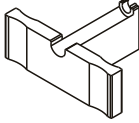

- Handle glass with great care. Although glass is very tough, sharp impacts can damage both the glass and metal frame.
- Make sure there are no hidden pipes or cables hidden in the wall where you intend to drill
- Wear safety goggles, shoes and appropriate clothing



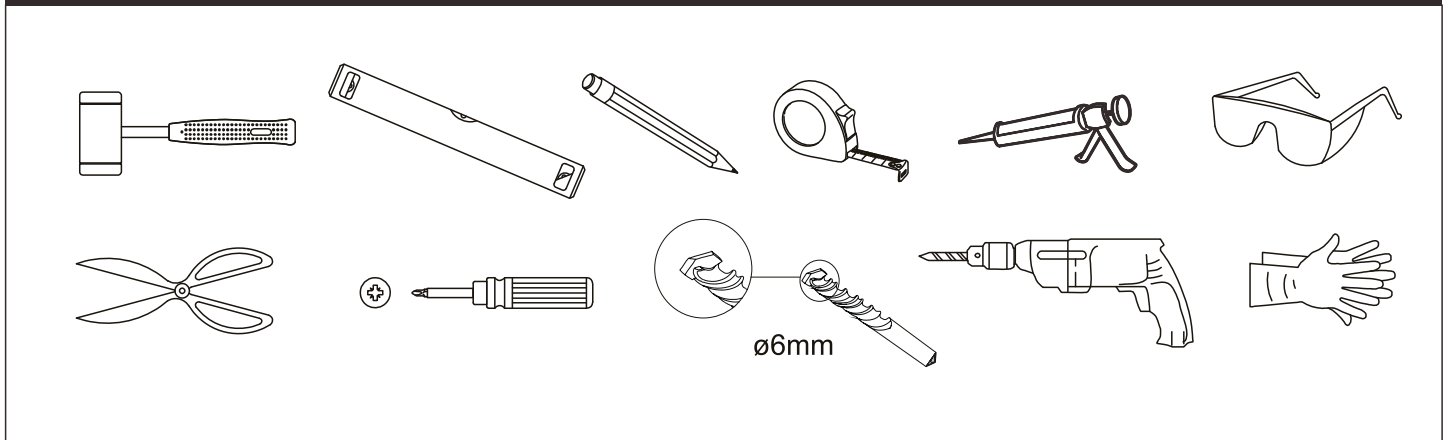
## **BEFORE INSTALLATION**

- Check that the shower tray is level in all directions. The enclosure will not sit correctly on an uneven surface. If uneven, the wall channels may not fit and the doors may not shut correctly.
- The enclosure should be fitted on tiled walls which are sealed with waterproof grout.
- The tiling or other wall finishing should be effectively sealed at the tray and wall edges.
- The shower tray and the enclosure must match in size, Attempting to fit the incorrect size of enclosure to the shower tray will result in water leakage.
- Always check very carefully that all components are present and profiles are vertical.
- To Avoid damage, use the opened out packaging to build the screen on
- Note: The screws and wall plugs supplied are for masonry walls. For lightweight walls i.e. stud partitions, plasterboard etc. use alternative fixings

## FIXING KIT COMPONENTS

6		6		2		
2		2		1		
				1	 3#	

## TOOLS REQUIRED

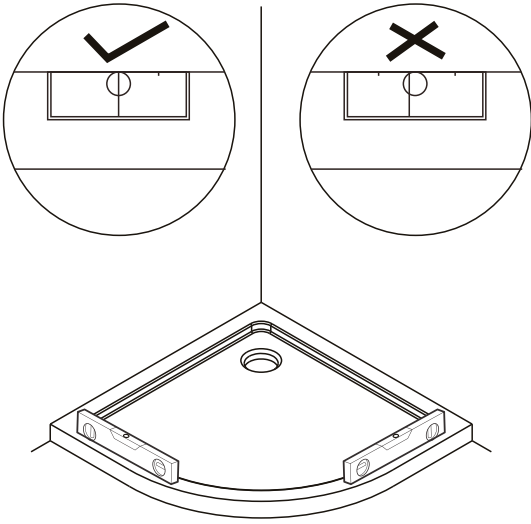


## PRODUCT ADJUSTMENT

1 DOOR QUADRANT CODE	DOOR SIZE IN MM	OVERALL ADJUSTMENT
Z190	900	870-890

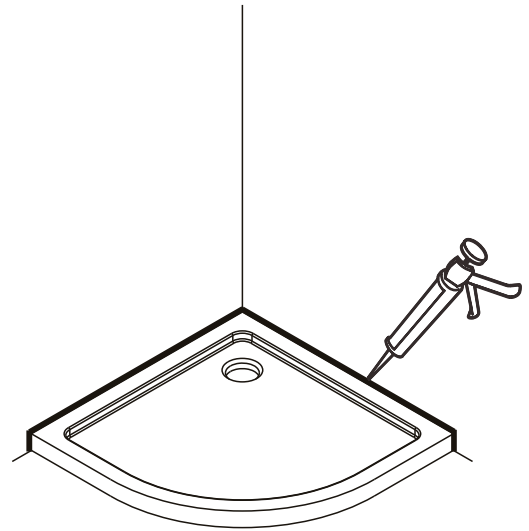
### STAGE 1

Ensure your tray is 100% level in all directions before fitting the enclosure



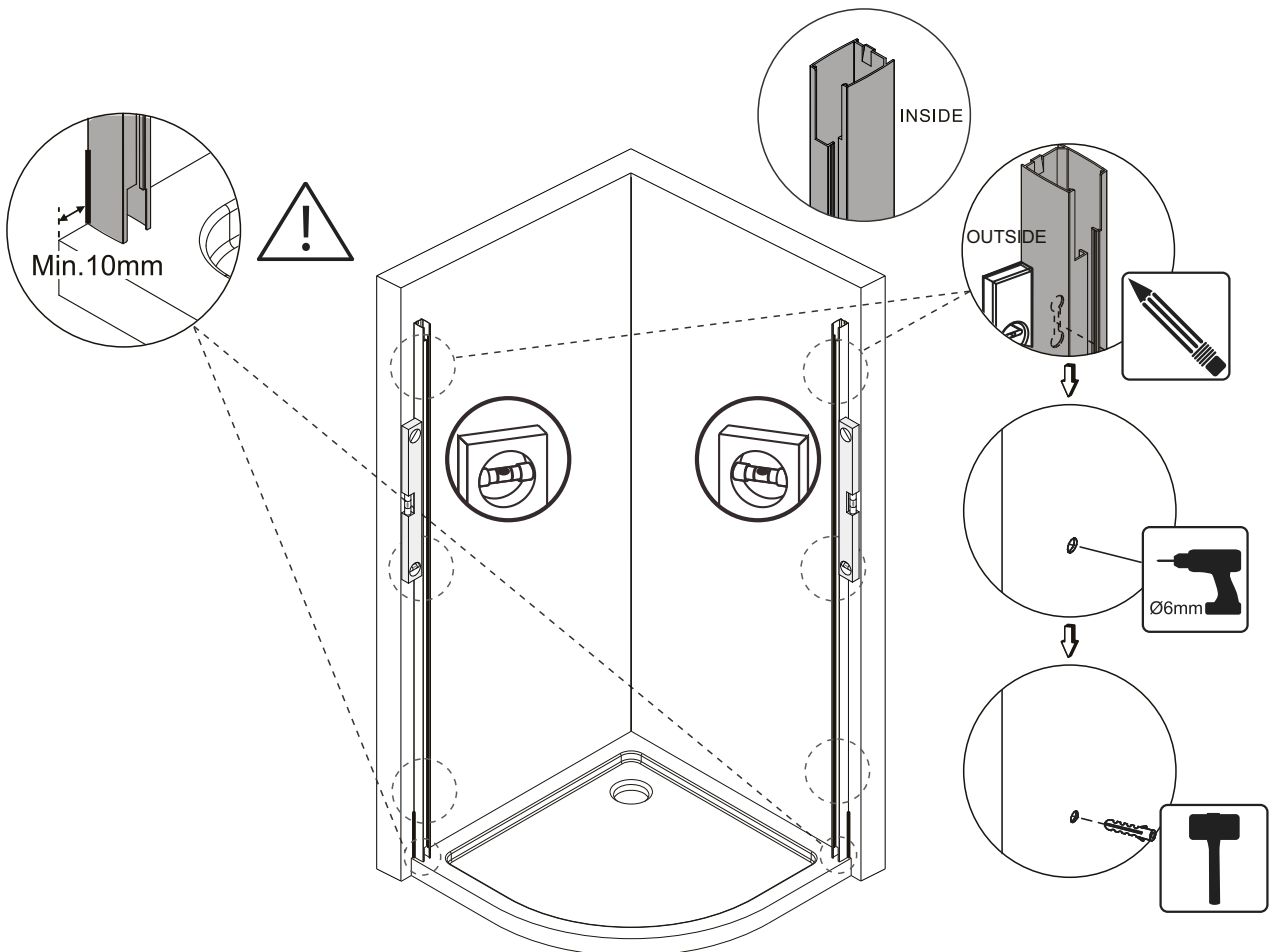
### STAGE 2

Effectively seal at the joint between the tray and the wall edges



### STAGE 3

Mark the position of the outside of each wall profile within the adjustments on page 1. Before marking the fixing positions check the label on the back of the profile indicating the side of the profile to face inside

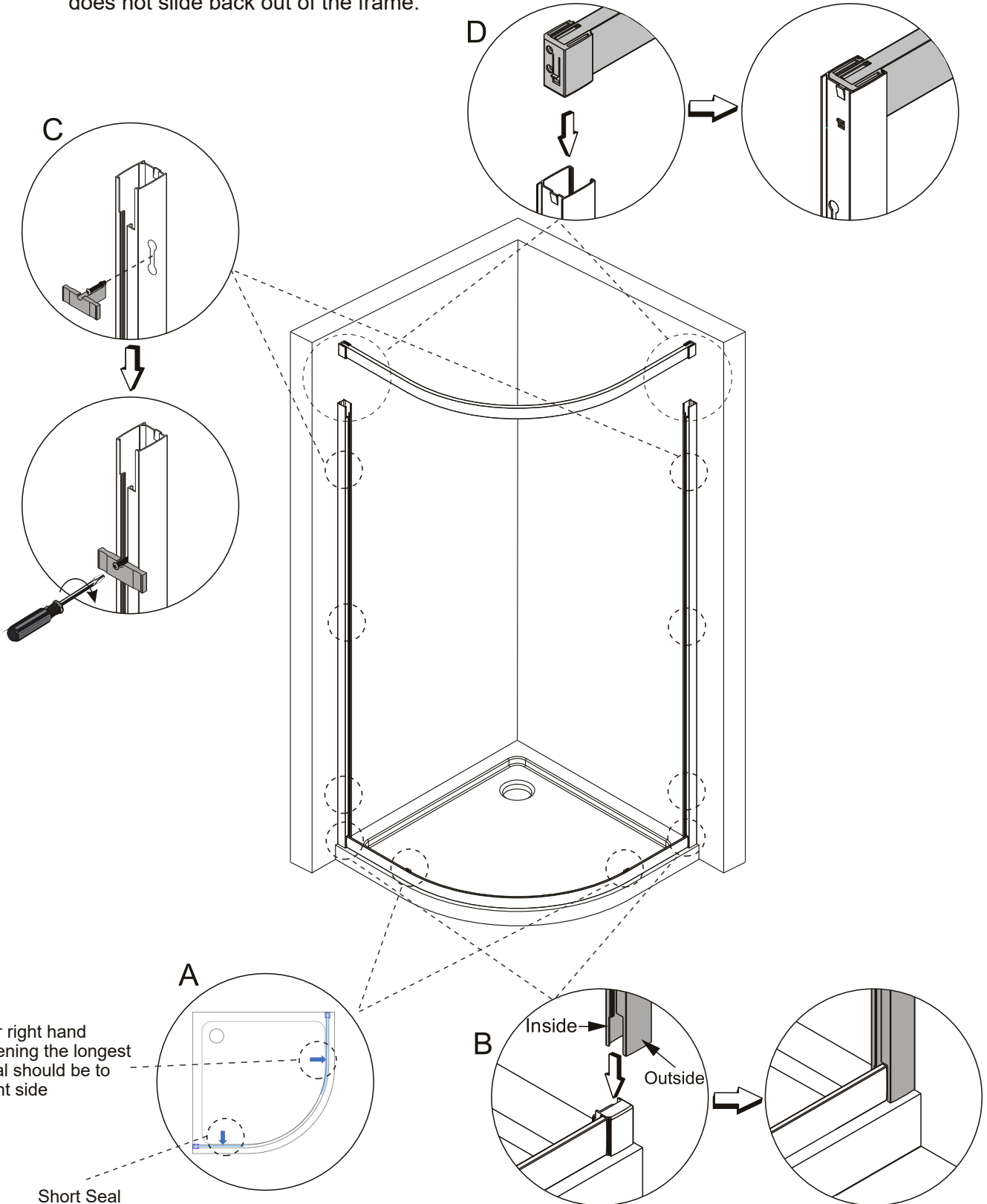


## STAGE 4

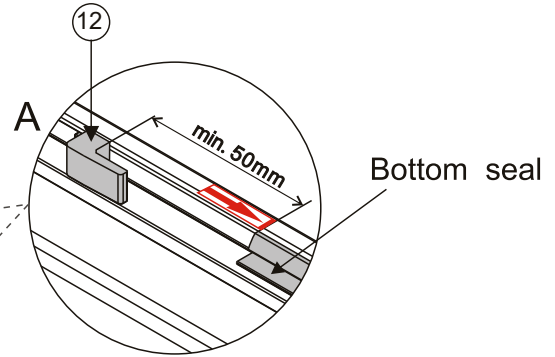
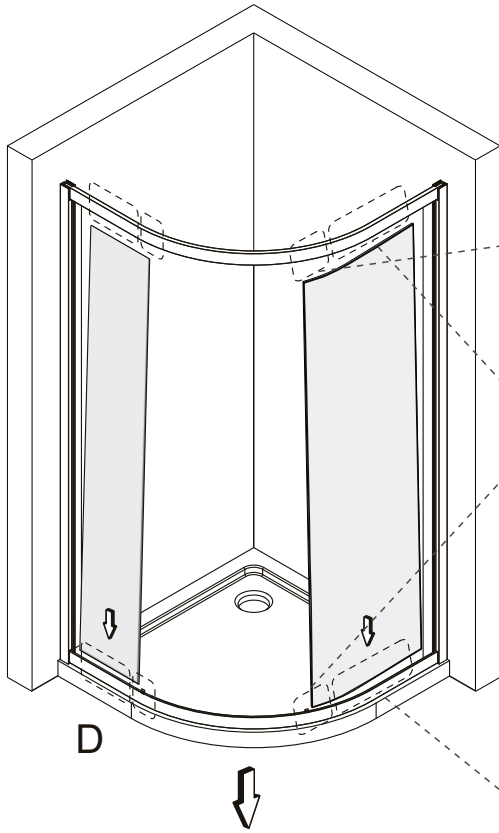
Build the product on the tray starting with the bottom profile

NOTE: The enclosure is shown and fitted as right hand from this point

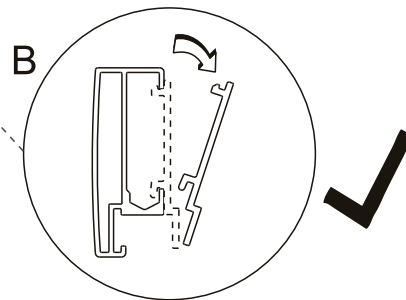
- The product is reversible and the handing is determined by the seal length in the bottom profile e.g. for right hand opening the longest seal should be on the right, shortest seal to the left. Opposite applies for left hand opening'
- Slide the wall profile fully over the nylon bracket
- Load the 4x30 screw onto the tool provided and fix the wall profiles, top, middle and bottom
- Slide the top frame fully into the ends of the wall profiles. Check the frame is locked in place and does not slide back out of the frame.



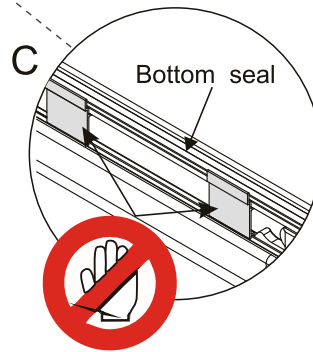
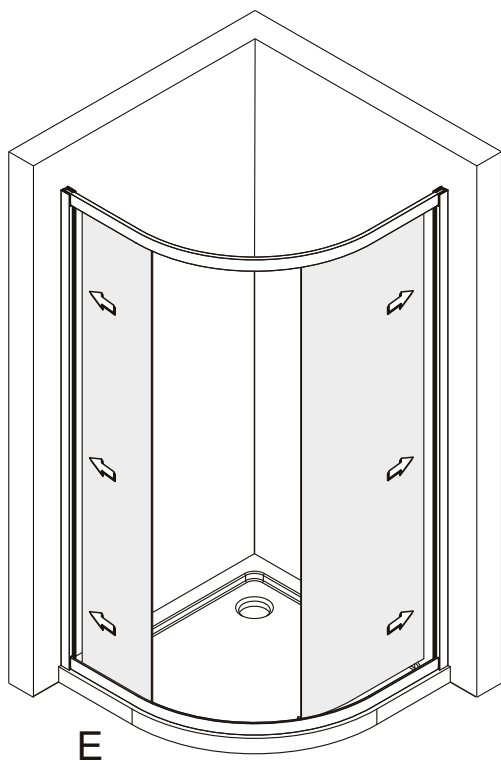
**STAGE 5**



Slide the clip (12) away from the seal on the top and bottom of the frame.



Slide the glass panel into the frame on the top first, then left out from the frame



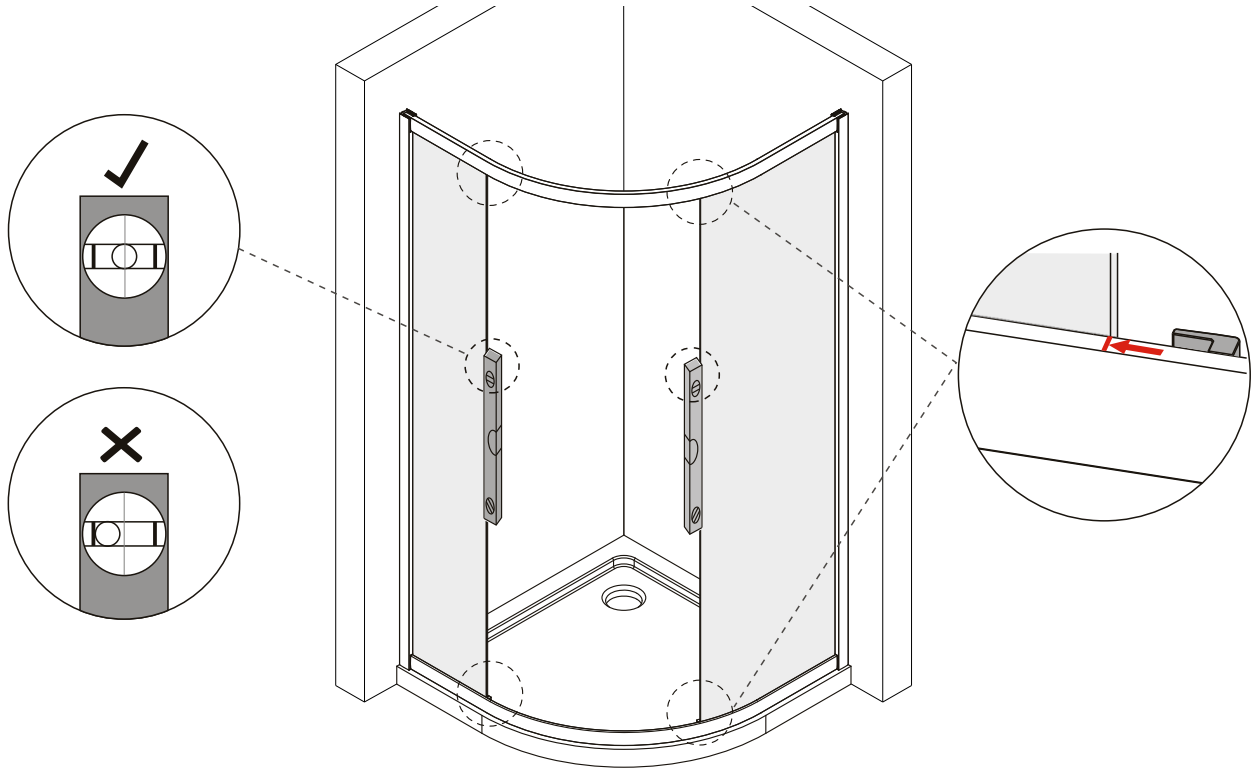
Leave the bottom PVC installation tool in place to help with the fitting of the fixed glass panel.  
Note: please ensure the installation tools are positioned at each end of the bottom seal

D. Standing inside the enclosure, place the bottom of the fixed panel on the frame at a slight angle, then lean the panel forward into the top of the frame.

E. Slide the glass panel into the wall profile

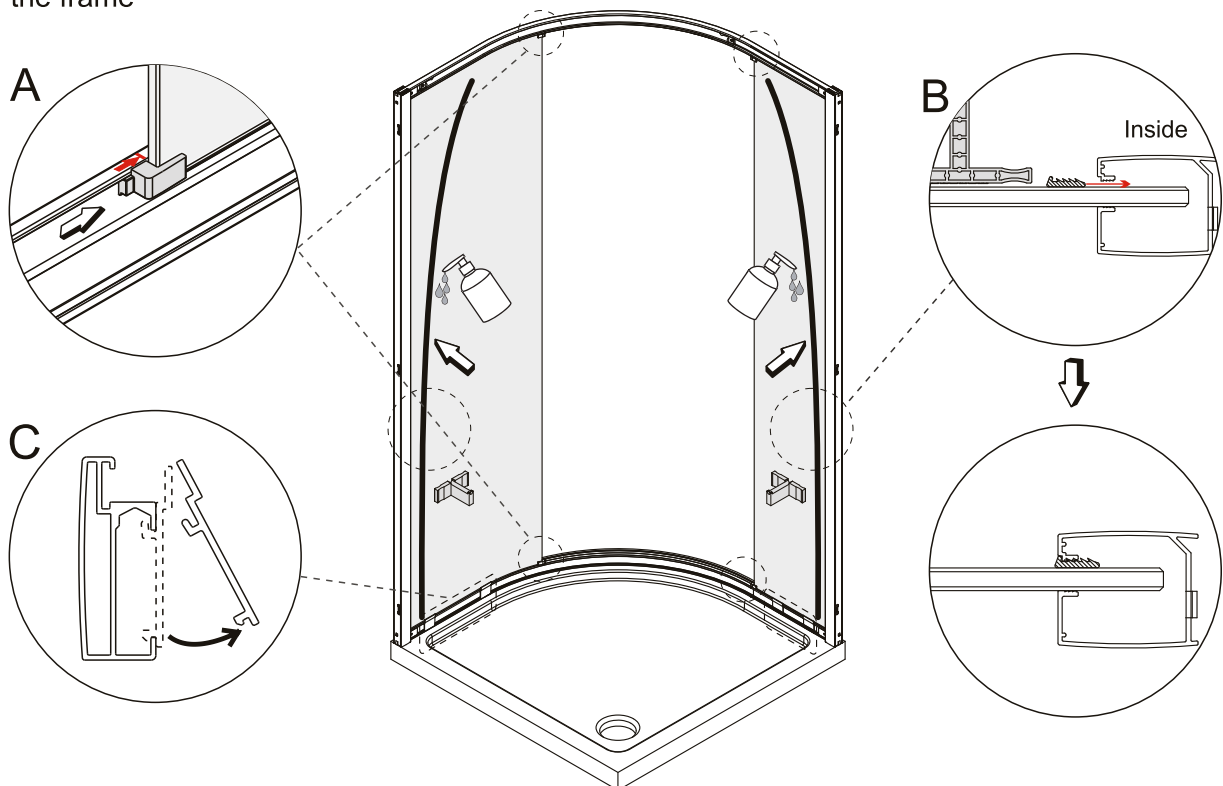
## STAGE 6

Adjust the top and bottom profile to align the glass edge with the red line on the labels, while ensuring that the glass panels are plumb



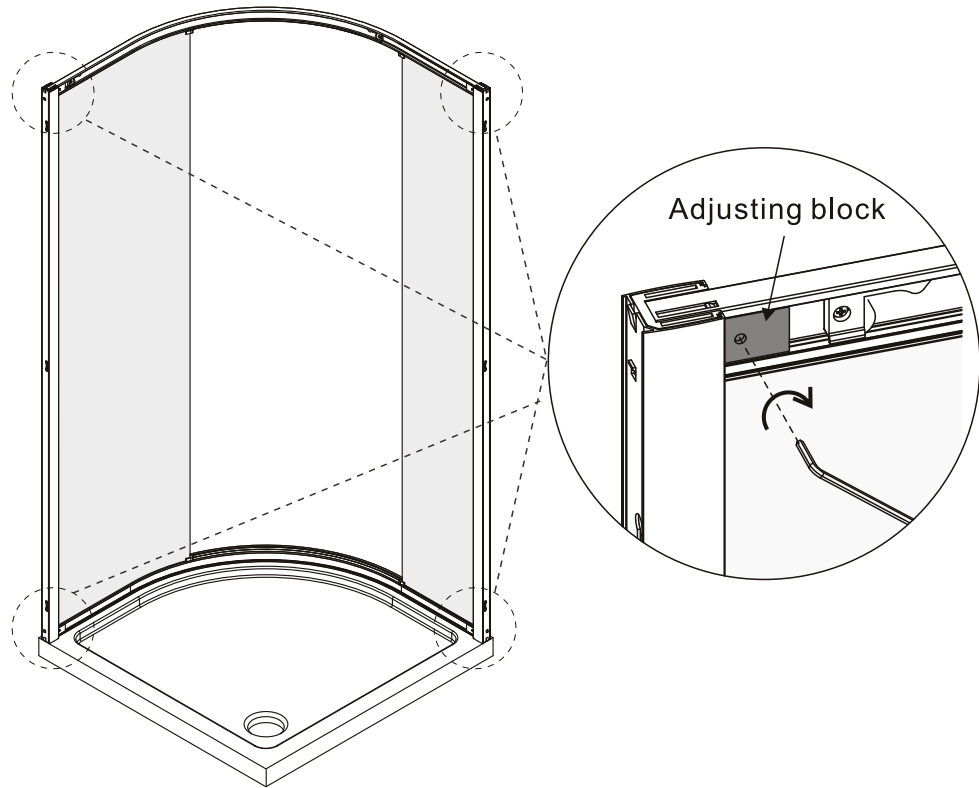
## STAGE 7

- Slide the clip over the fixed panel on both the top and bottom of the panel
- First dampen the seal with water to help it slide into the profile. Ensure that flat side of the seal is faced to the glass and the ridged side to the profile. Starting at the bottom, use the tool provided to insert the wedge gasket between the glass and the profile.
- Remove the PVC installation tool by releasing the side closest to the bottom first, then lift out from the frame



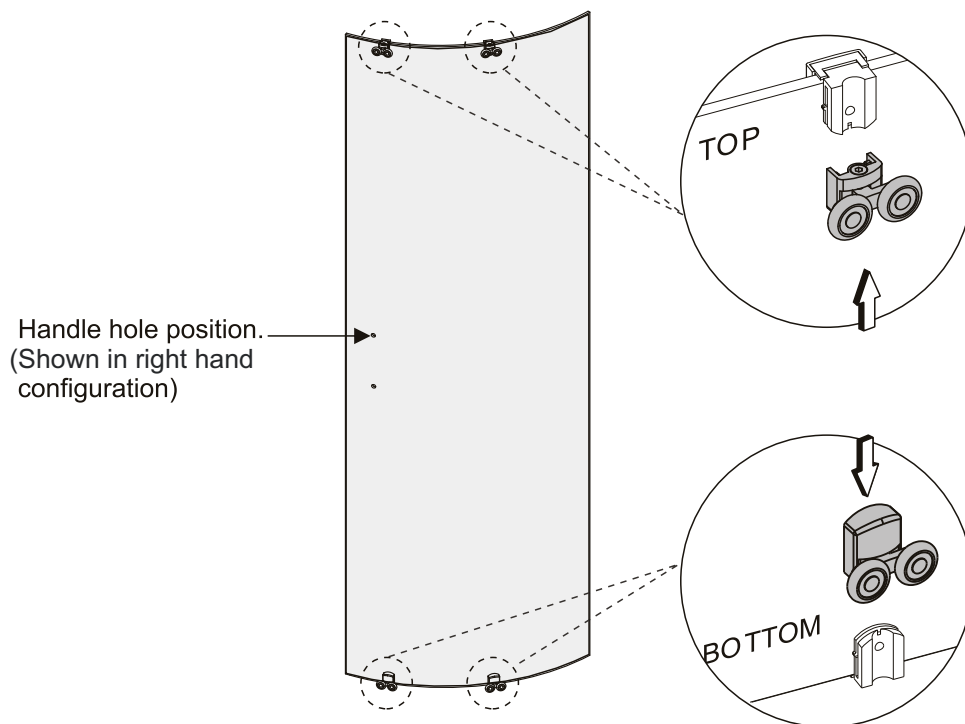
## STAGE 8

Tighten the grub screws until they are flush with the 'adjusting block'.

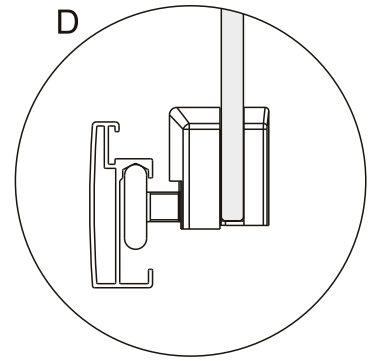
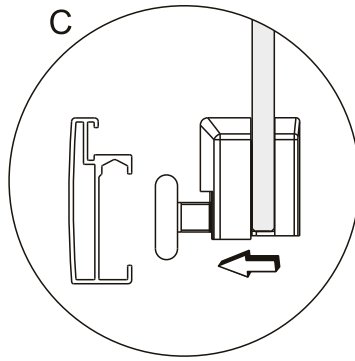
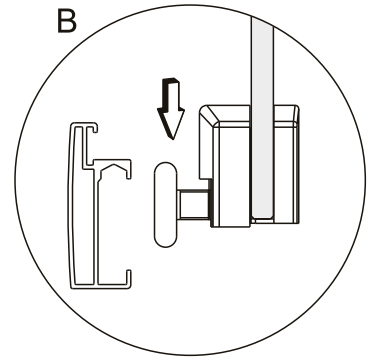
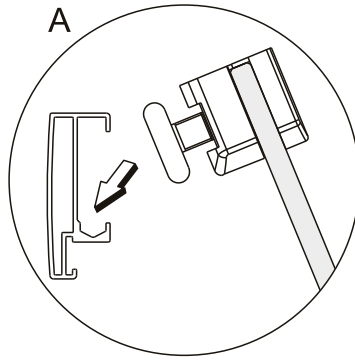
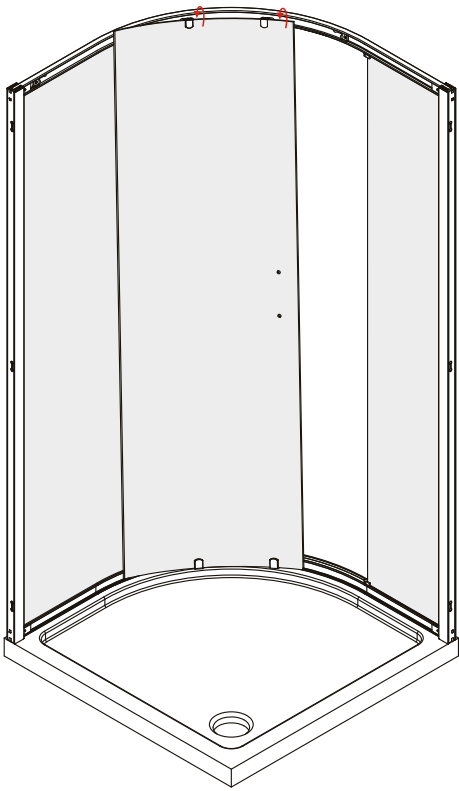


## STAGE 9

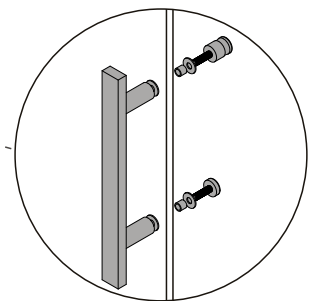
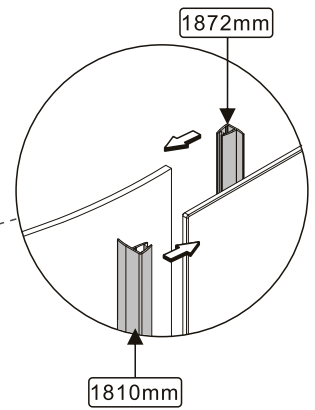
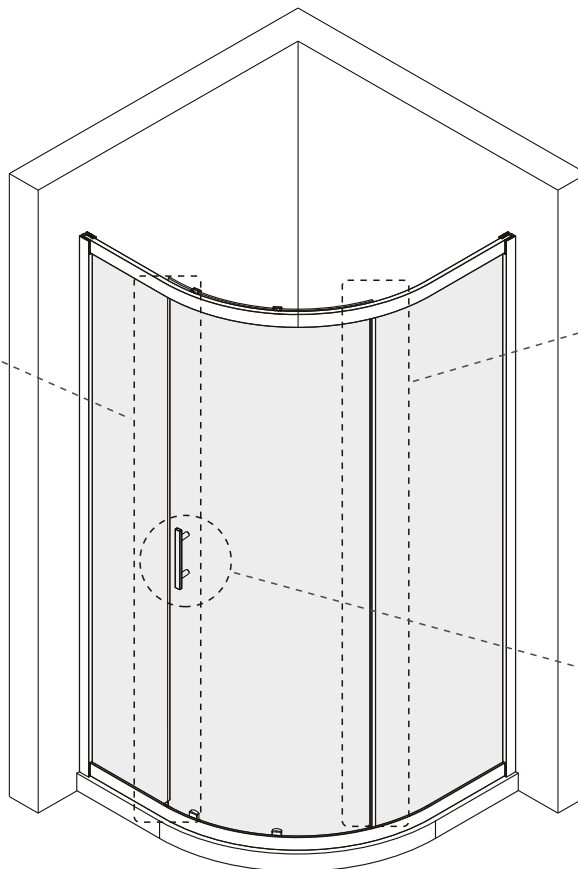
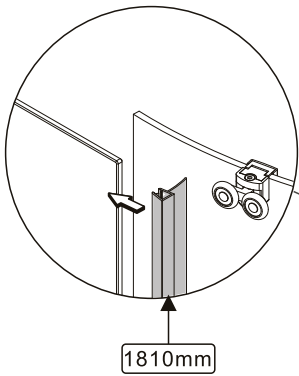
Slide the rollers labeled TOP into the top of the glass panel roller fixing and repeat the step for the BOTTOM rollers



**STAGE 10**

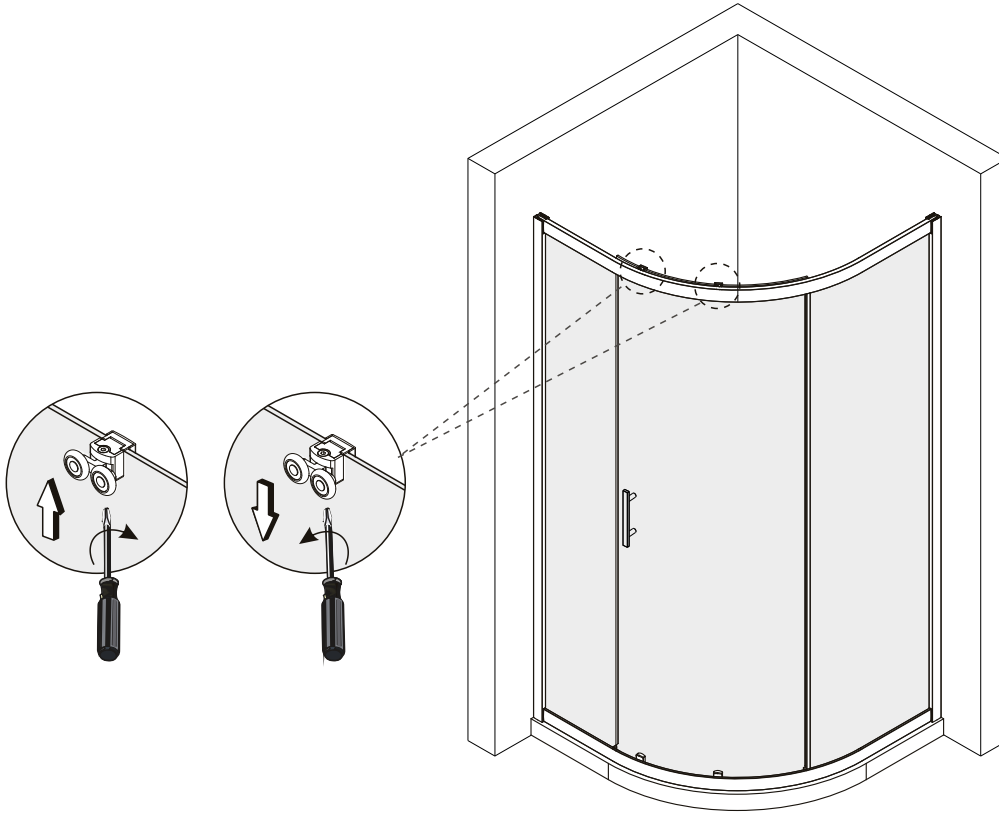


**STAGE 11**



## STAGE 12

Adjust the rollers to ensure the the overlap of the moving and fixed panels is parallel.



## STAGE 13

Before sealing make sure that all surfaces are clean, dry and free from any residue such as grout. Use a quality silicone sealant and applicator to finish the door. Seal between the wall and the wall profile. On the top and bottom of the frame seal between the fixed panel seal and the clip, and between the clip and the frame. Seal between the bottom profile and the tray/tiles.

**DO NOT USE THE ENCLOSURE FOR 24 HOURS**

