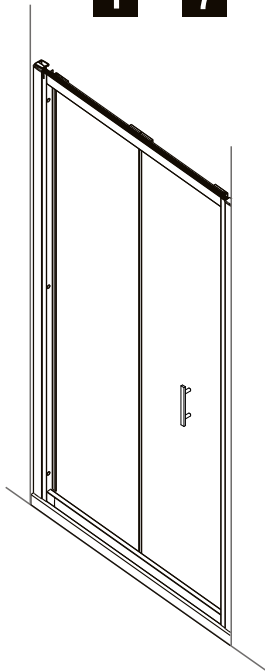
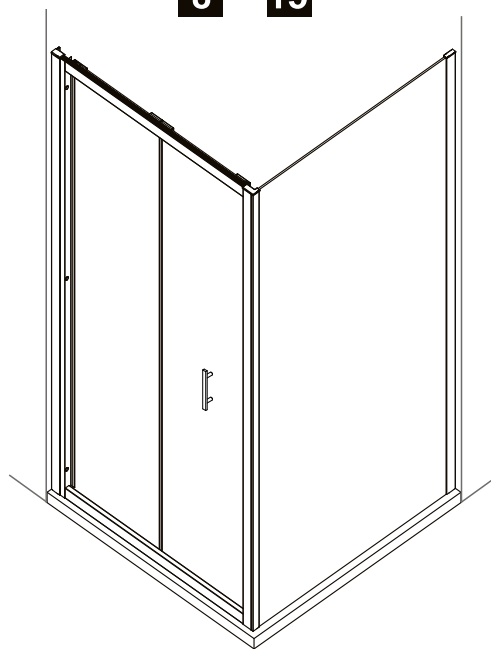


# BIFOLD DOOR INSTALLATION GUIDE

**1 - 7**



**8 - 15**



***Please read these instructions carefully and keep for future reference. Incorrect fitting will invalidate the guarantee***



## **SAFETY**




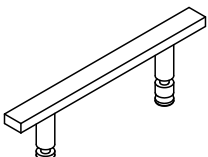
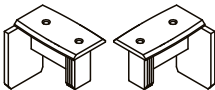
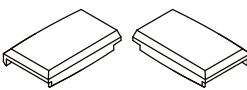
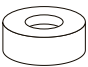
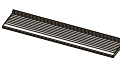
- Handle glass with great care. Although glass is very tough, sharp impacts can damage both the glass and metal frame.
- Make sure there are no hidden pipes or cables hidden in the wall where you intend to drill
- Wear safety goggles, shoes and appropriate clothing



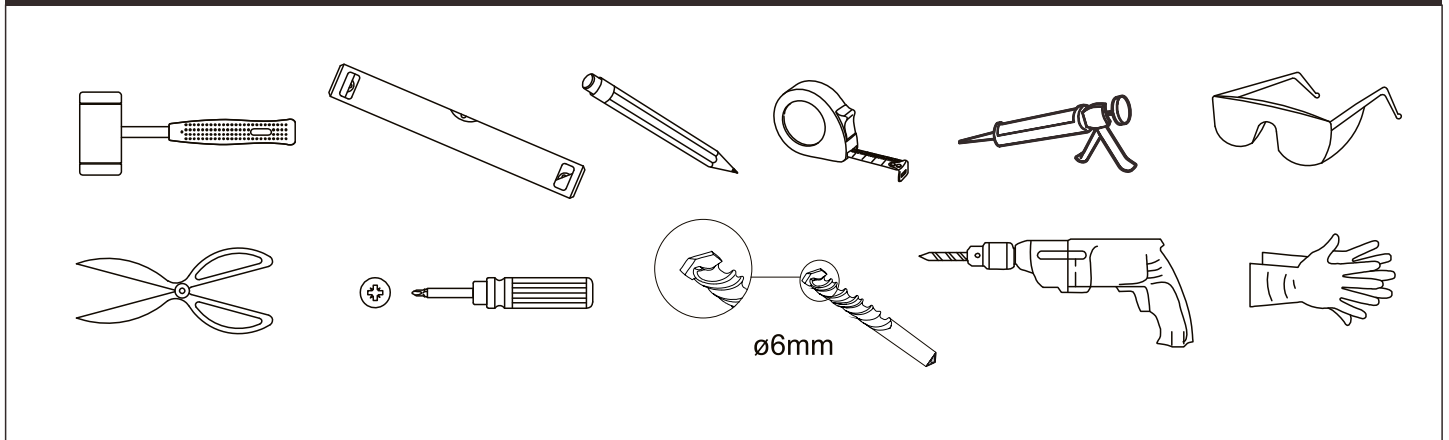
## **BEFORE INSTALLATION**

- Check that the shower tray is level in all directions. The enclosure will not sit correctly on an uneven surface. If uneven, the wall channels may not fit and the doors may not shut correctly.
- The enclosure should be fitted on tiled walls which are sealed with waterproof grout.
- The tiling or other wall finishing should be effectively sealed at the tray and wall edges.
- The shower tray and the enclosure must match in size, Attempting to fit the incorrect size of enclosure to the shower tray will result in water leakage.
- Always check very carefully that all components are present and profiles are vertical.
- To Avoid damage, use the opened out packaging to build the screen on
- Note: The screws and wall plugs supplied are for masonry walls. For lightweight walls i.e. stud partitions, plasterboard etc. use alternative fixings

## FIXING KIT COMPONENTS

6		6		6		  <b>1</b>
2		2		6		
				1.5mmX2 2.2mmX2 3mmX2		

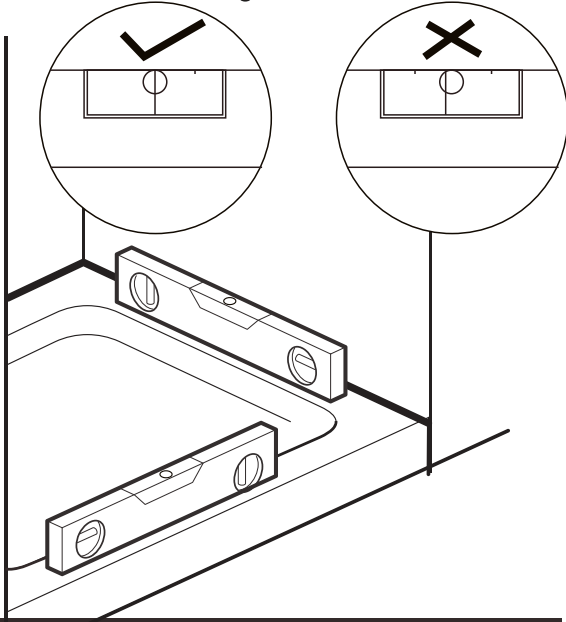
## TOOLS REQUIRED



BIFOLD DOOR CODE	DOOR SIZE IN MM	OVERALL ADJUSTMENT IN RECESS MM
Z576	760	710-750
Z580	800	750-790
Z590	900	850-890

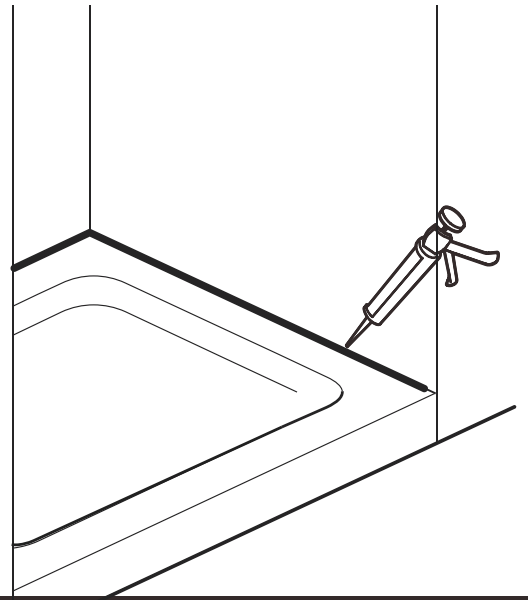
### STAGE 1

Ensure your tray is 100% level in all directions before fitting the enclosure



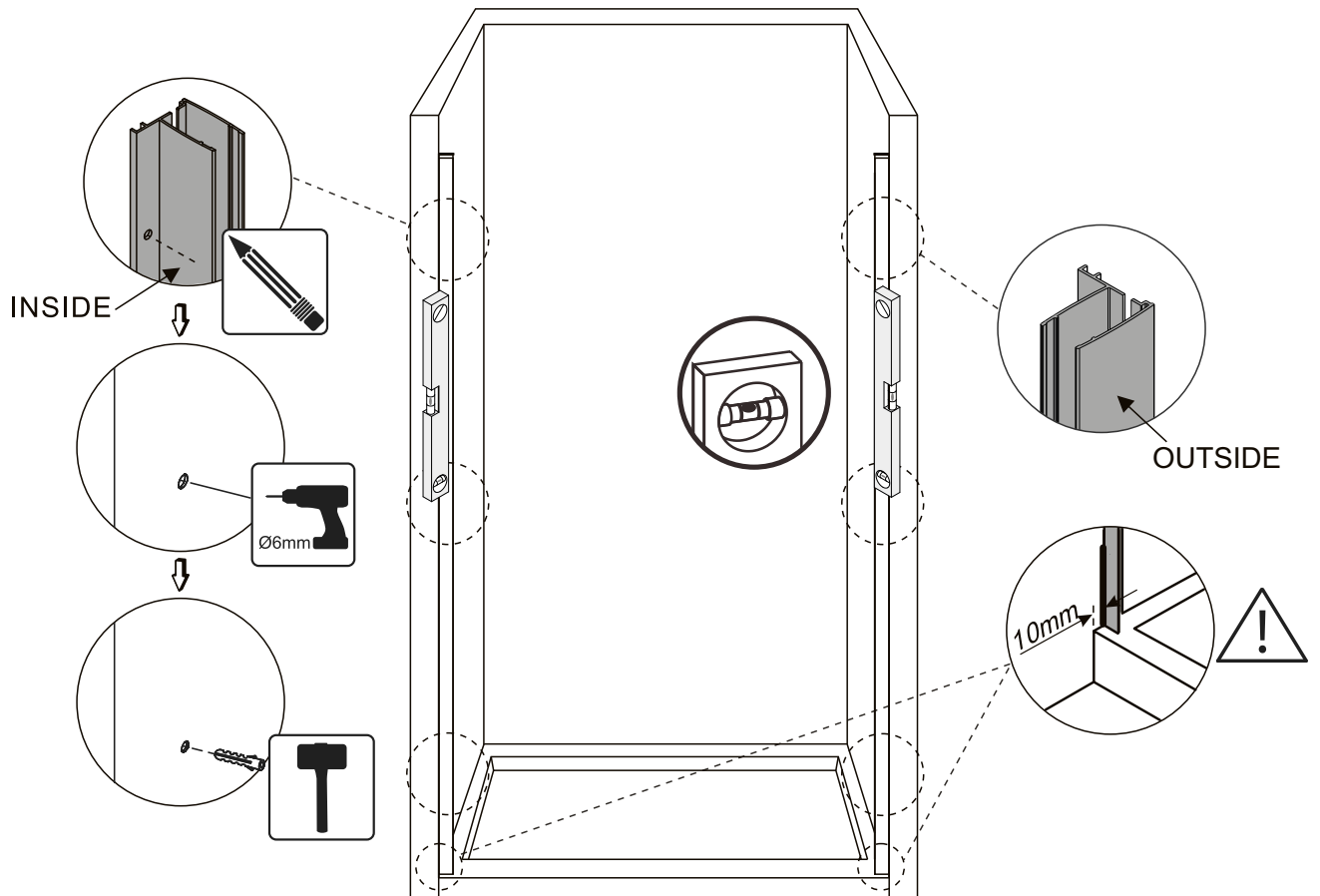
### STAGE 2

Effectively seal at the joint between the tray and the wall edges



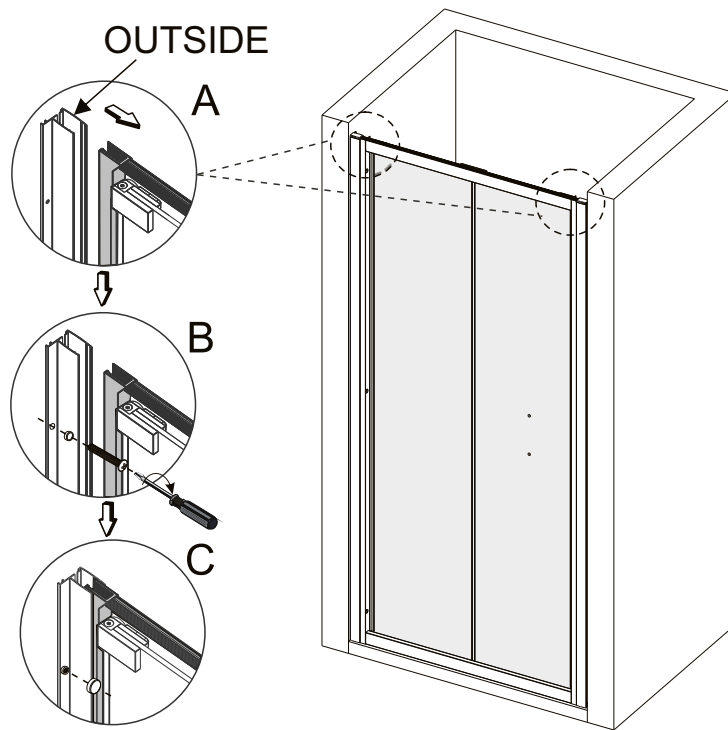
### STAGE 3

Determine your step in from the tray edge, this is usually 10mm. Plumb your wall profiles on each side then mark and drill your fixing positions.



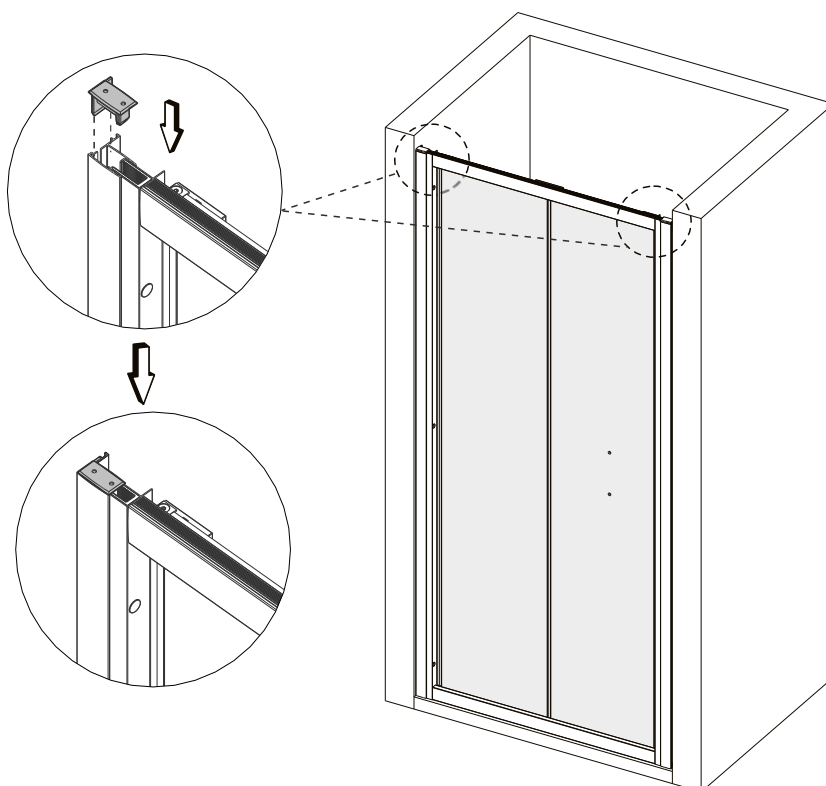
## STAGE 4

- A. Fit the wall profile onto the frame and lift the frame onto the tray
- B. Put the screw cover cap clips onto the 4x30 screws and fix the wall profiles, top, middle and bottom
- C. Fit the cover caps over the cover clips



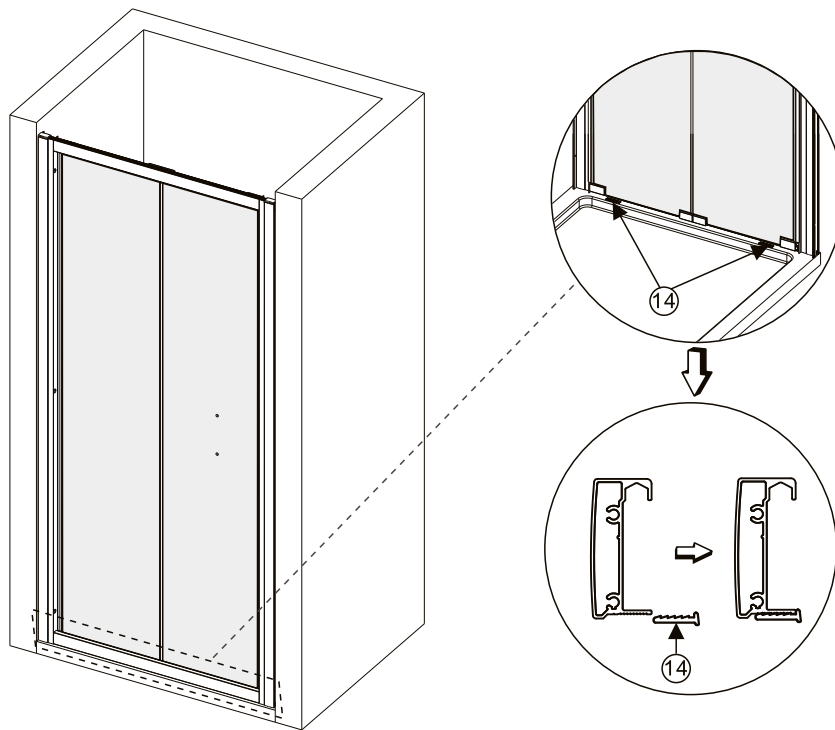
## STAGE 5

- A. Adjust the frame side to side to ensure it is square and the door open and closes freely.
- B. Slide the locking cap down into position



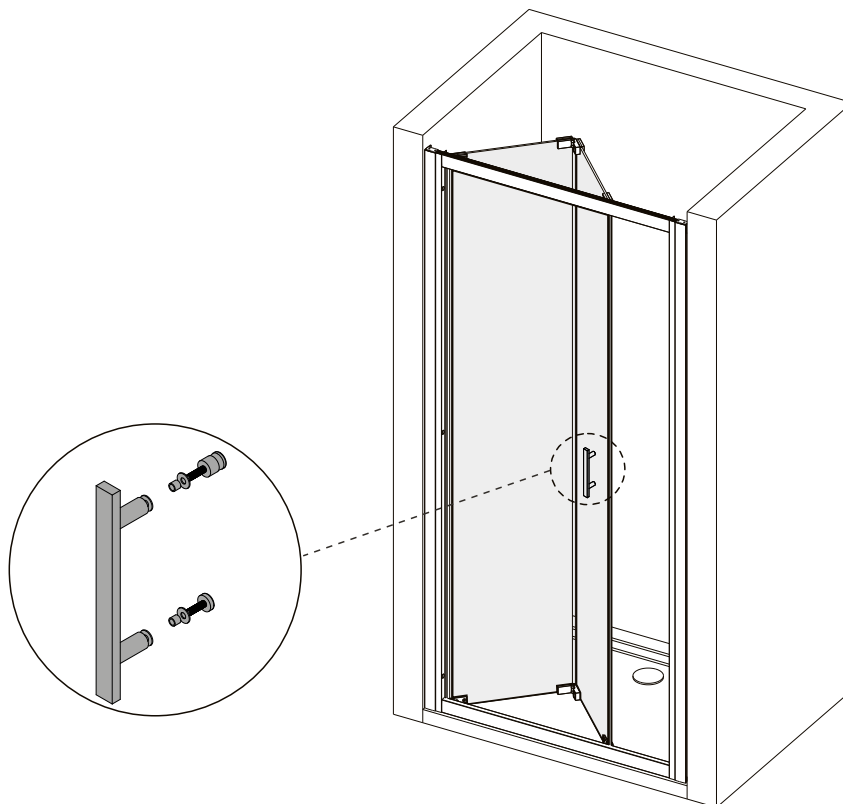
## STAGE 6

Push the wedge seals between the bottom profile and the tray to hold the frame in position. Three thicknesses are provided.



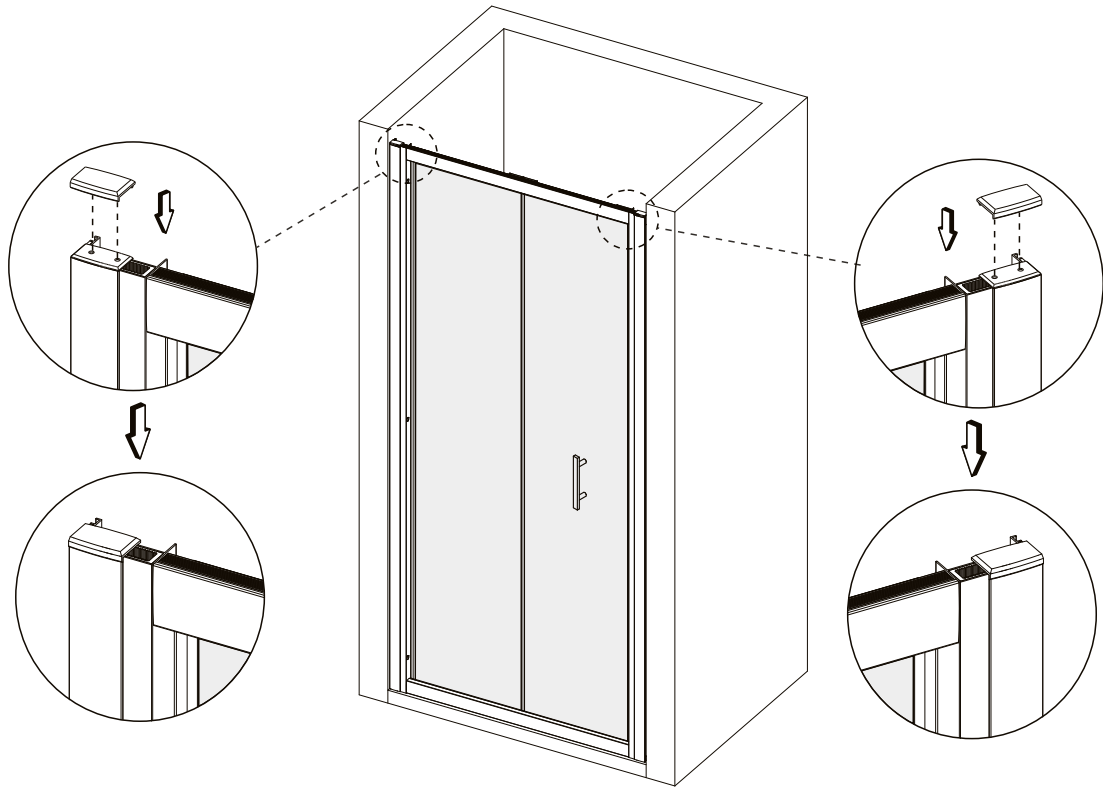
## STAGE 7

Fit the door handle with knob on the inside



## STAGE 8

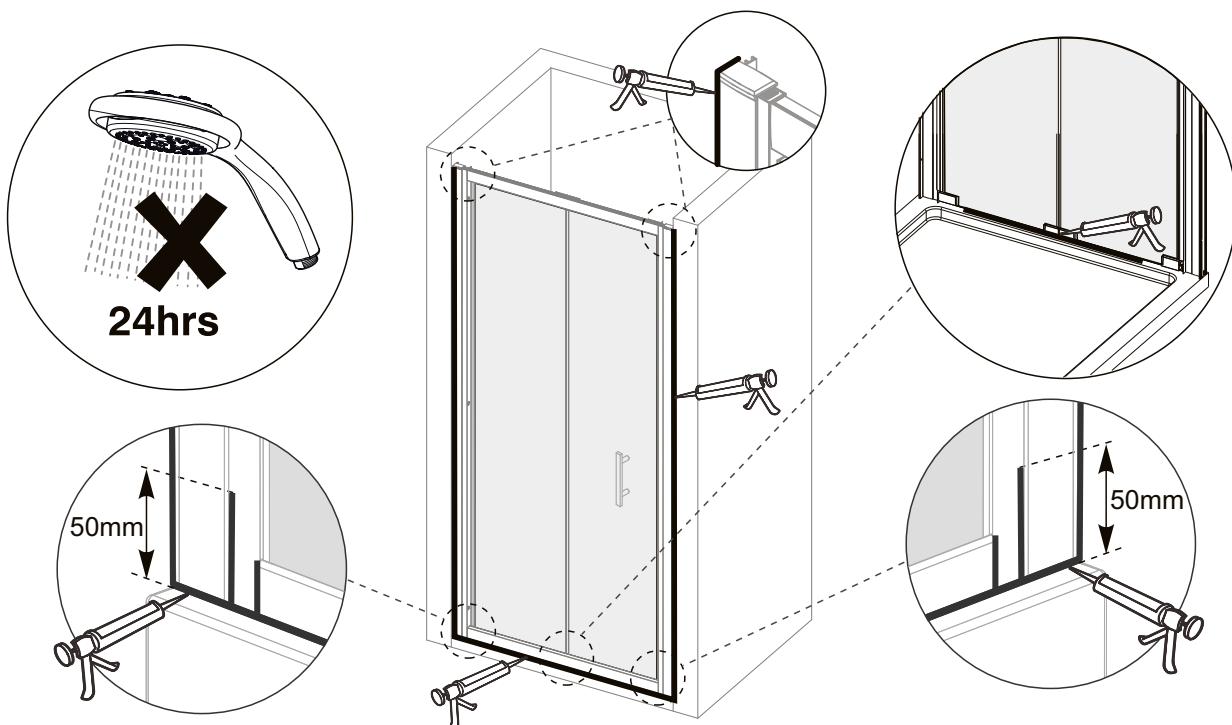
Fit the cover caps on the wall profiles



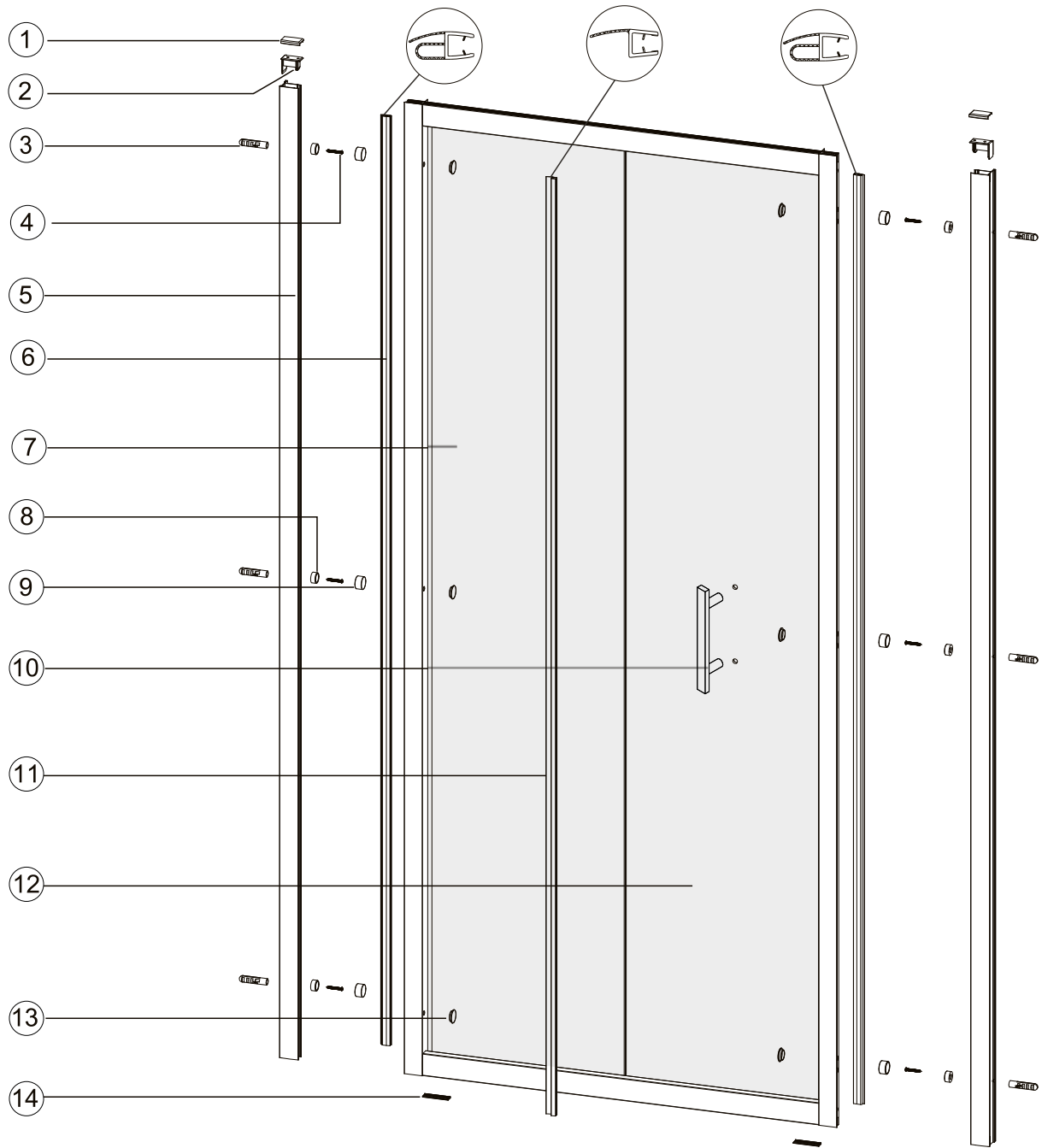
## STAGE 9

Before sealing make sure that all surfaces are clean, dry and free from any residue such as grout. Use a quality silicone sealant and applicator to finish the door. Seal between the wall and the wall profile. Seal between the wall profile and the frame 50mm from the tray. Seal across the top of the locking cap between the cap and the wall. Seal between the bottom profile and the tray/tiles fully across the outside and between the wedge seals on the inside.

**DO NOT USE THE ENCLOSURE FOR 24 HOURS**



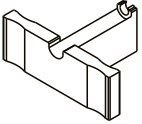
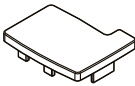
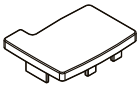
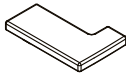
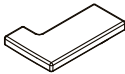
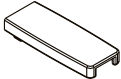


# PARTS LIST

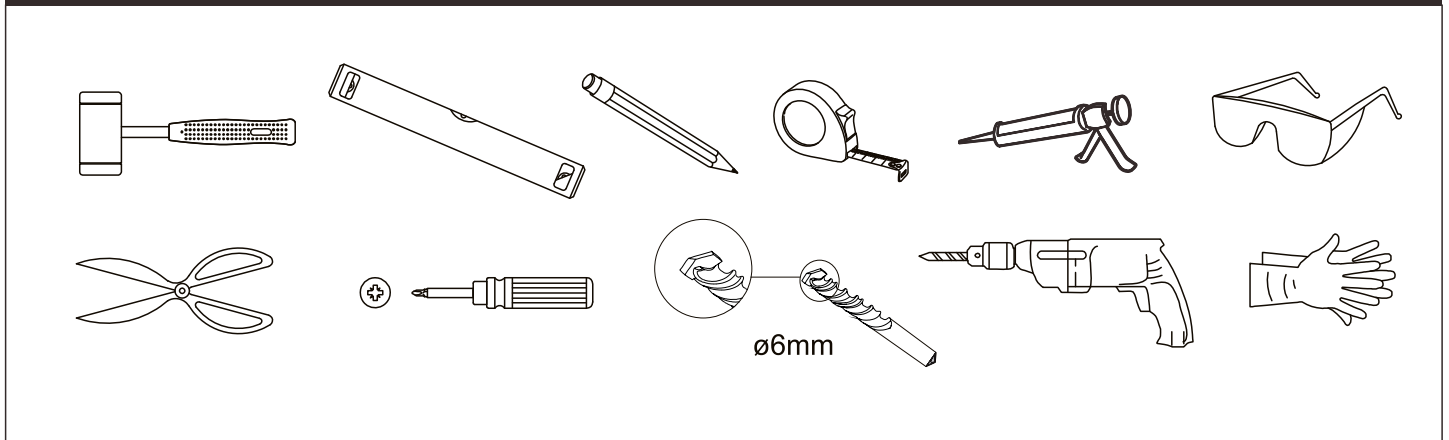


Item No.	Part List Description	Part Code	Bifold Door Size Variations		
			760	800	900
1	Cover cap for Bifold left / right	K021 / K022	2	2	2
2	Locking cap left / right	K019 / K040	2	2	2
3	Wall plug	2SP12	6	6	6
4	4 x 30 frame fixing round screw	2SY51	6	6	6
5	Wall profile 1900	K095	2	2	2
6	Bifold A upright seal	K205	2	2	2
7	MovingPanel A - various sizes	N/A	1	1	1
8	Screw cover clip	2SS009	6	6	6
9	Screw cover cap	2SS008	6	6	6
10	Single handle with inside knob	Z001	1	1	1
11	Bifold A mid seal	K206	1	1	1
12	MovingPanel B - various sizes	N/A	1	1	1
13	Frame cover cap	K155	6	6	6
14	Bottom wedge seal	K142	2	2	2

## FIXING KIT COMPONENTS

<b>3</b> 	<b>3</b> 	<b>1</b> 
<b>2</b>  	<b>2</b>  	<b>1</b> 

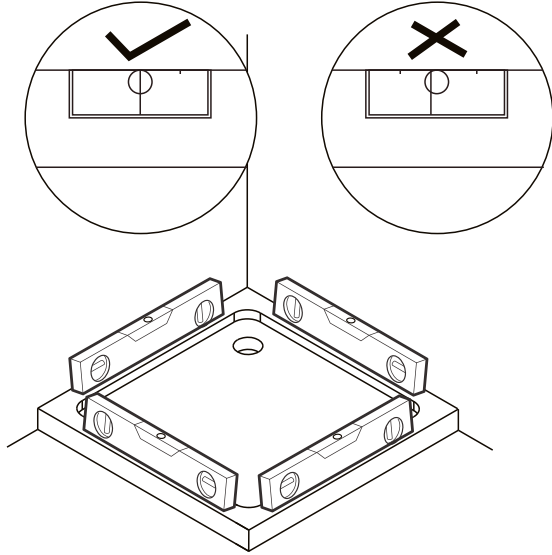
## TOOLS REQUIRED



BIFOLD DOOR CODE	DOOR SIZE IN MM	OVERALL ADJUSTMENT WITH SIDE PANEL
Z576	760	715-735
Z580	800	755-775
Z590	900	855-875

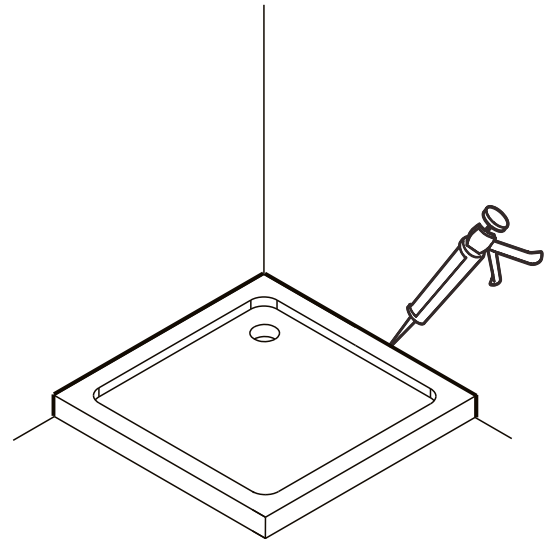
### STAGE 1

Ensure your tray is 100% level in all directions before fitting the enclosure



### STAGE 2

Effectively seal at the joint between the tray and the wall edges



### STAGE 3

Determine your step in from the tray edge, this is usually 10mm. Plumb your wall profiles on each side then mark and drill your fixing positions

**OUTSIDE**

**INSIDE**

size	x	size	Y
760	715-735	760	722-742
800	755-775	800	762-782
900	855-875	900	862-882

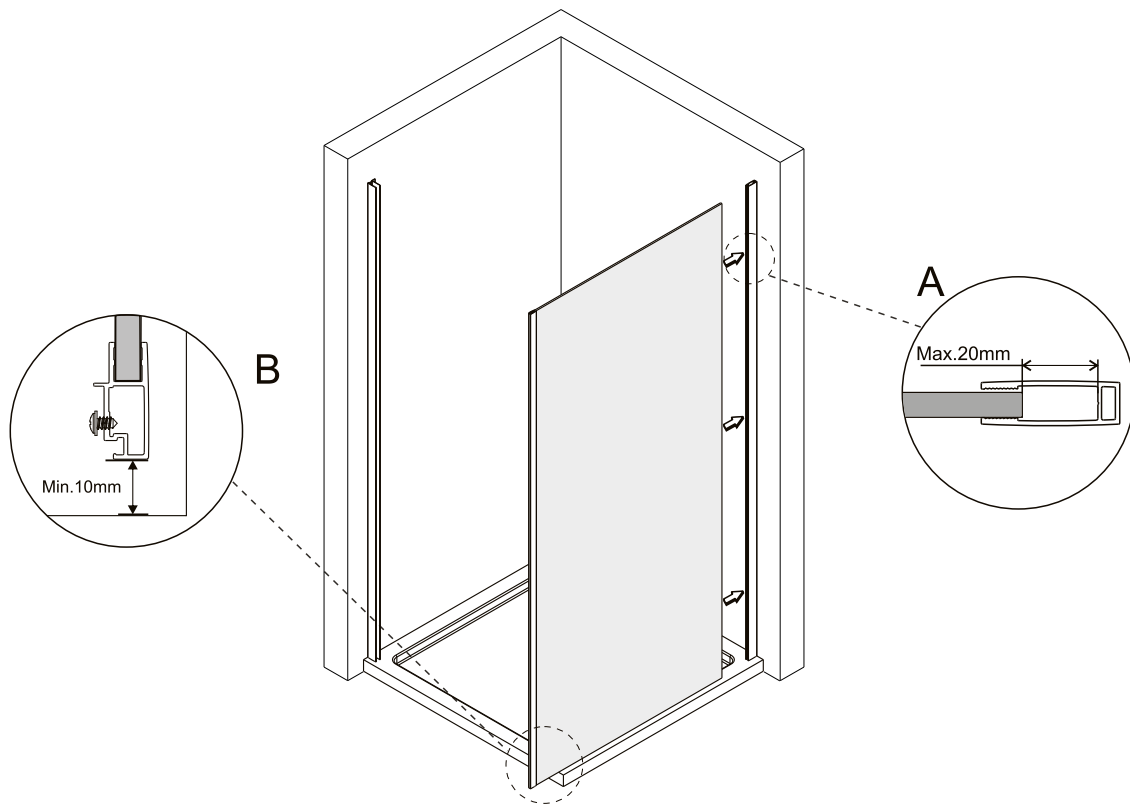
Min. 10mm

Min. 10mm

Ø6mm

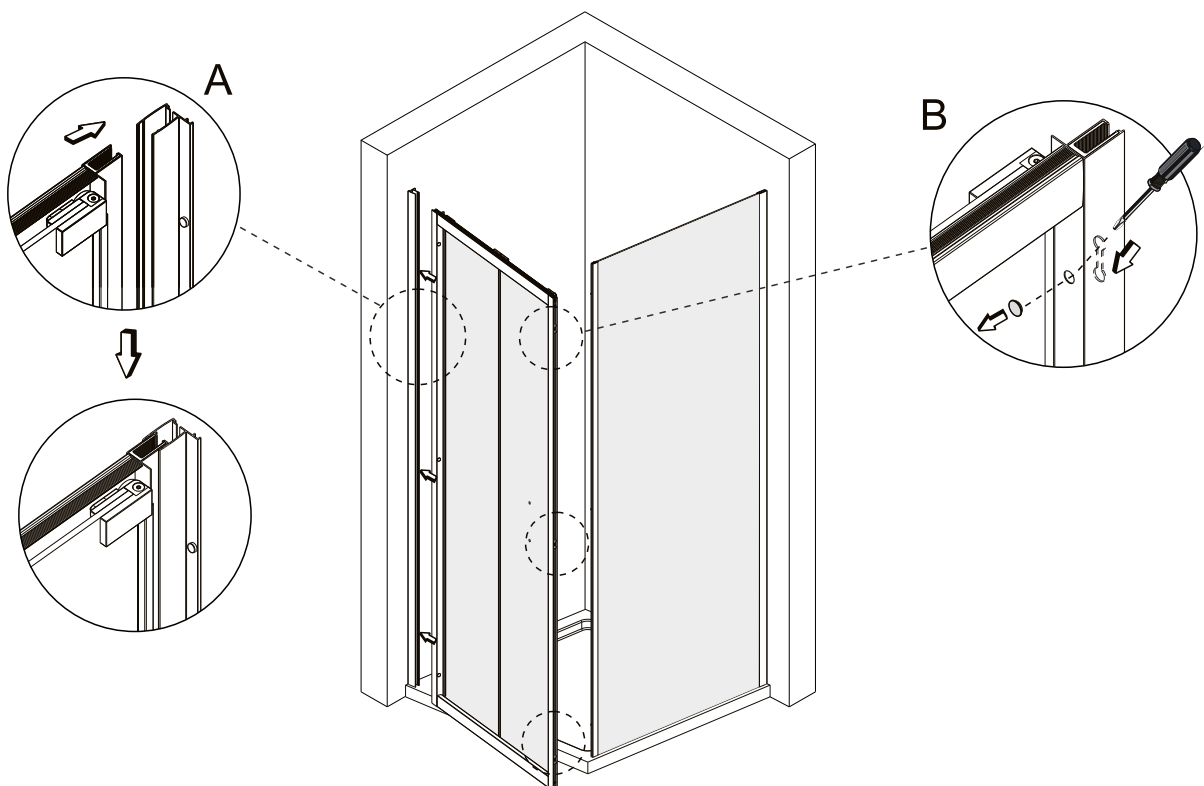
## STAGE 4

- A. Slide the panel into the wall profile. Note the max adjustment is 20mm
- B. Make sure the screws on the edge of the frame are facing to the inside



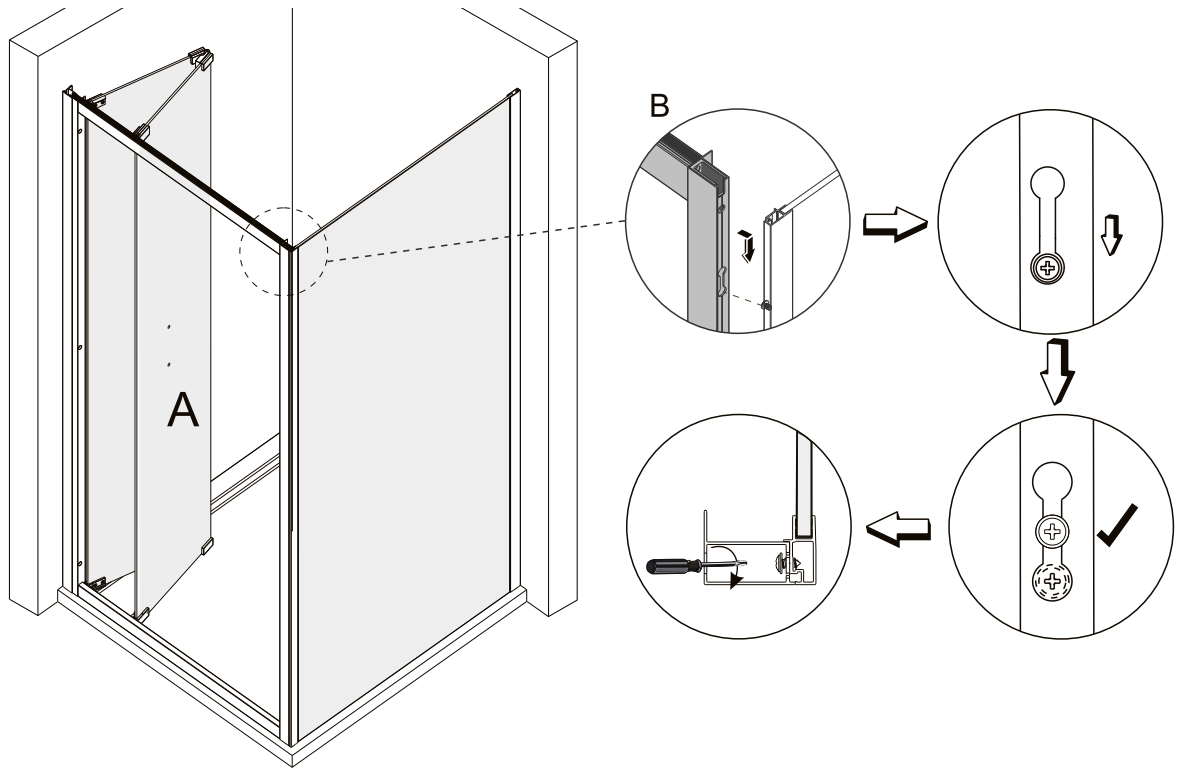
## STAGE 5

- A. Slide the frame into the wall profile
- B. Insert a screwdriver through the slot on the outside edge of the profile and remove the three cover caps. Keep these for use later.



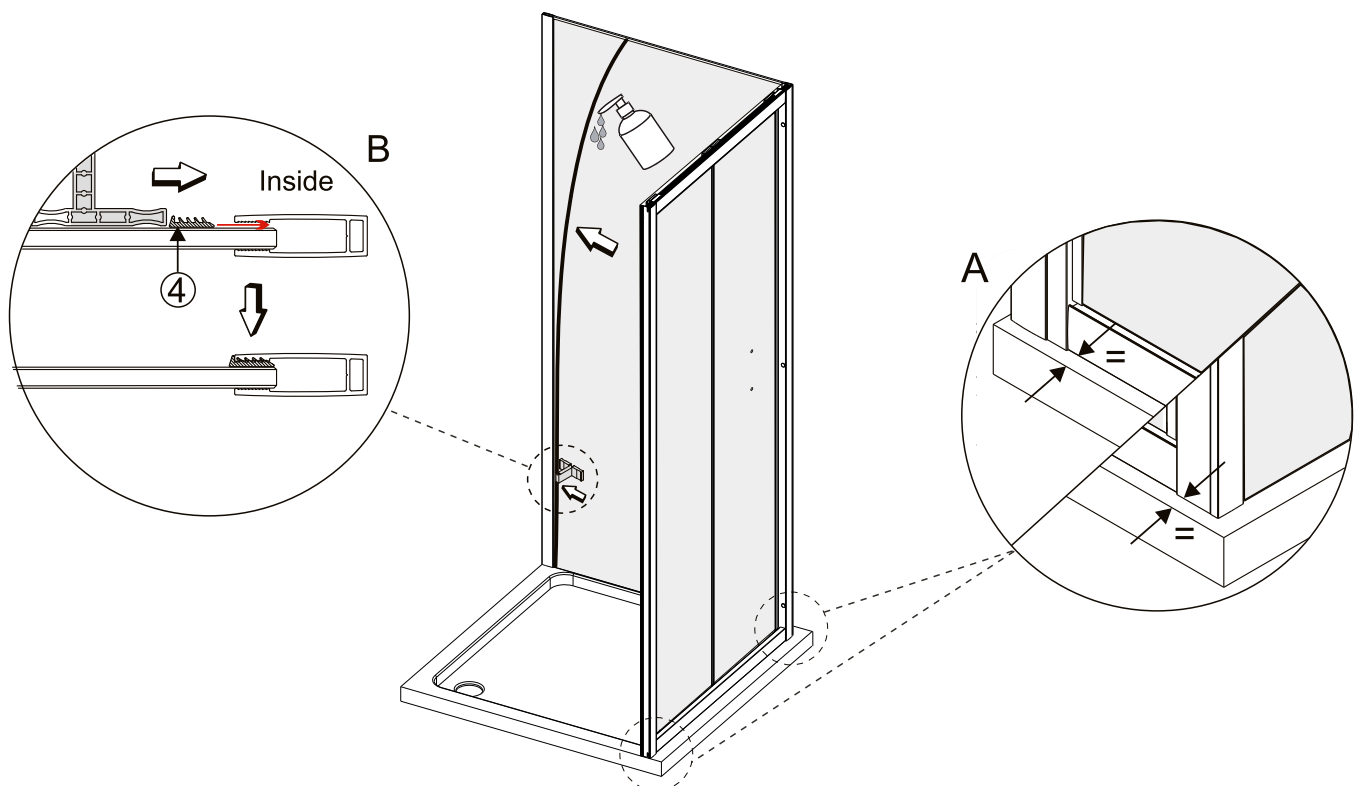
## STAGE 6

- A. Fully open the door
- B. Lift the door frame until the bottom holes are aligned with the screws in the side panel.  
Bring the frames together, then lower the door frame and tighten the three screws through the slot in the side of the frame



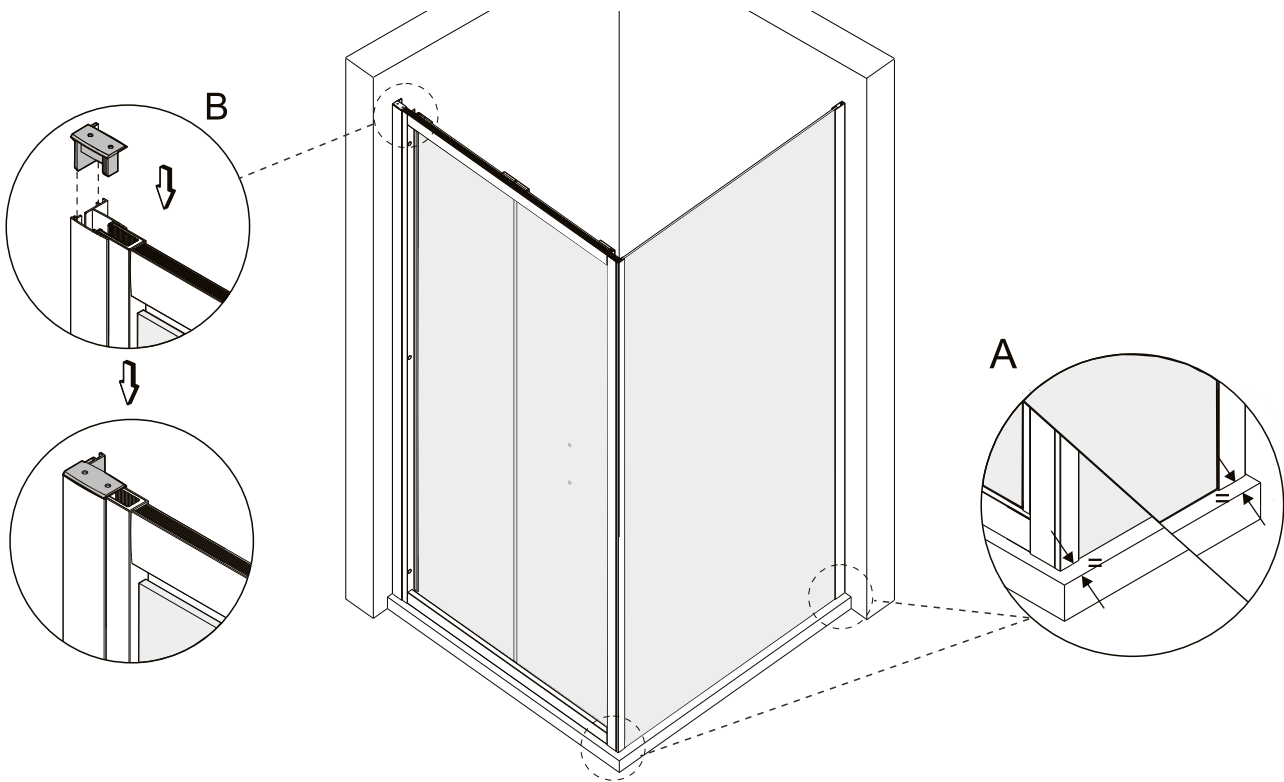
## STAGE 7

- A. Adjust the side panel side to side until the frame is parallel to the front of the tray.
- B. Dampen the wedge gasket with water to help it slide into the profile. Ensure that flat side of the seal is faced to the glass and the ridged side to the profile. Starting at the bottom, use the tool provided to insert the wedge gasket between the glass and the profile.



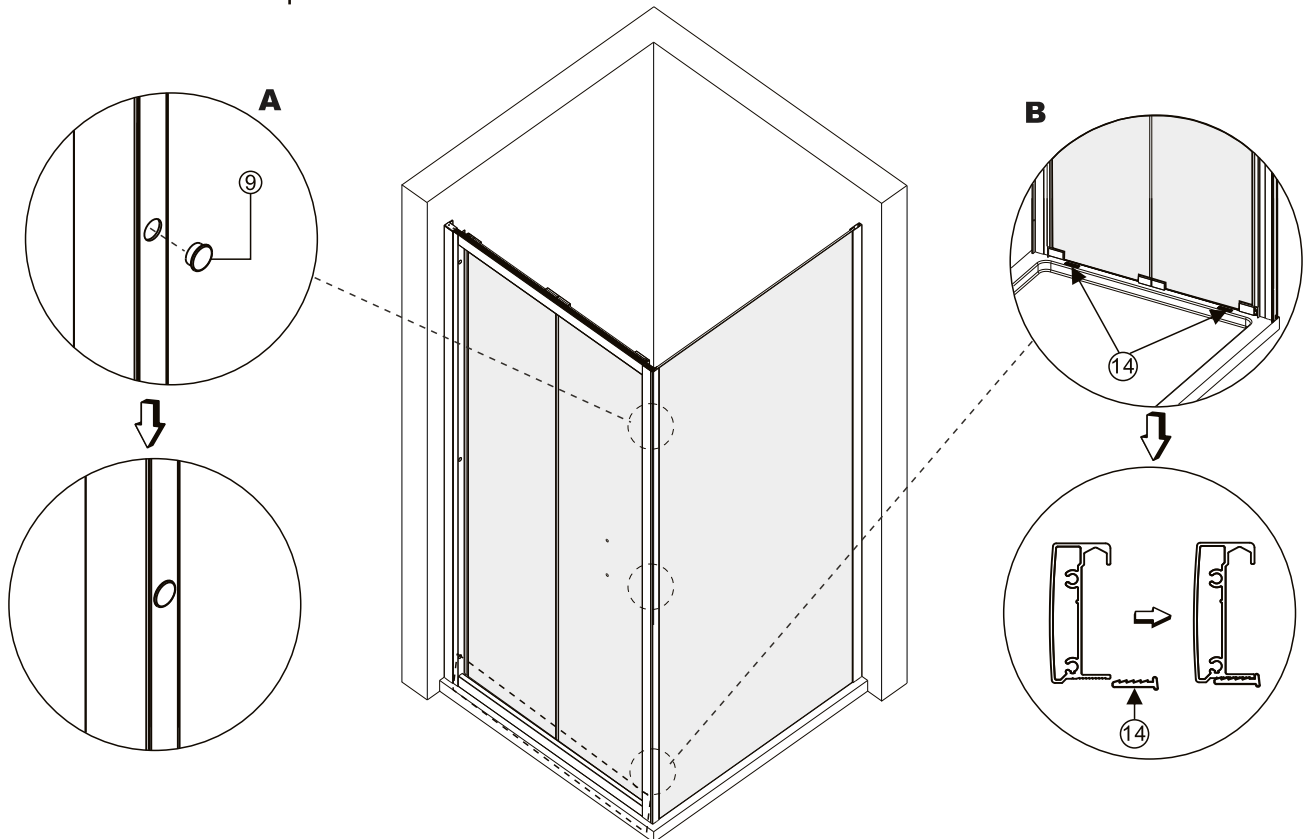
## STAGE 8

- A. Adjust the door frame side to side until the side panel is parallel to the side of the tray and the top of the door panel is parallel with the frame.
- B. Slide the locking cap down into position



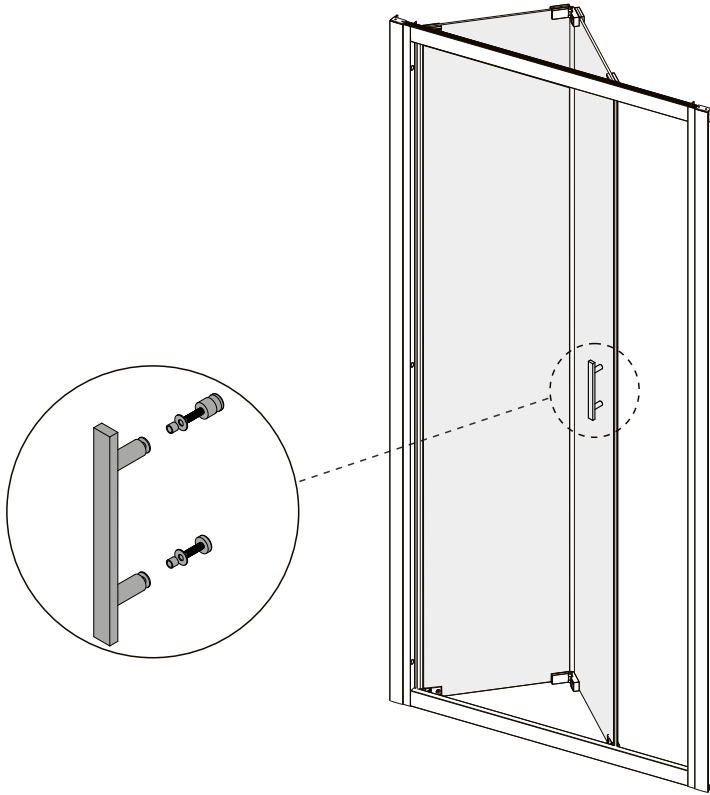
## STAGE 9

- A. Fit the cover caps
- B. Push the wedge seals between the bottom profile and the tray to hold the frame in position. Three thicknesses are provided.



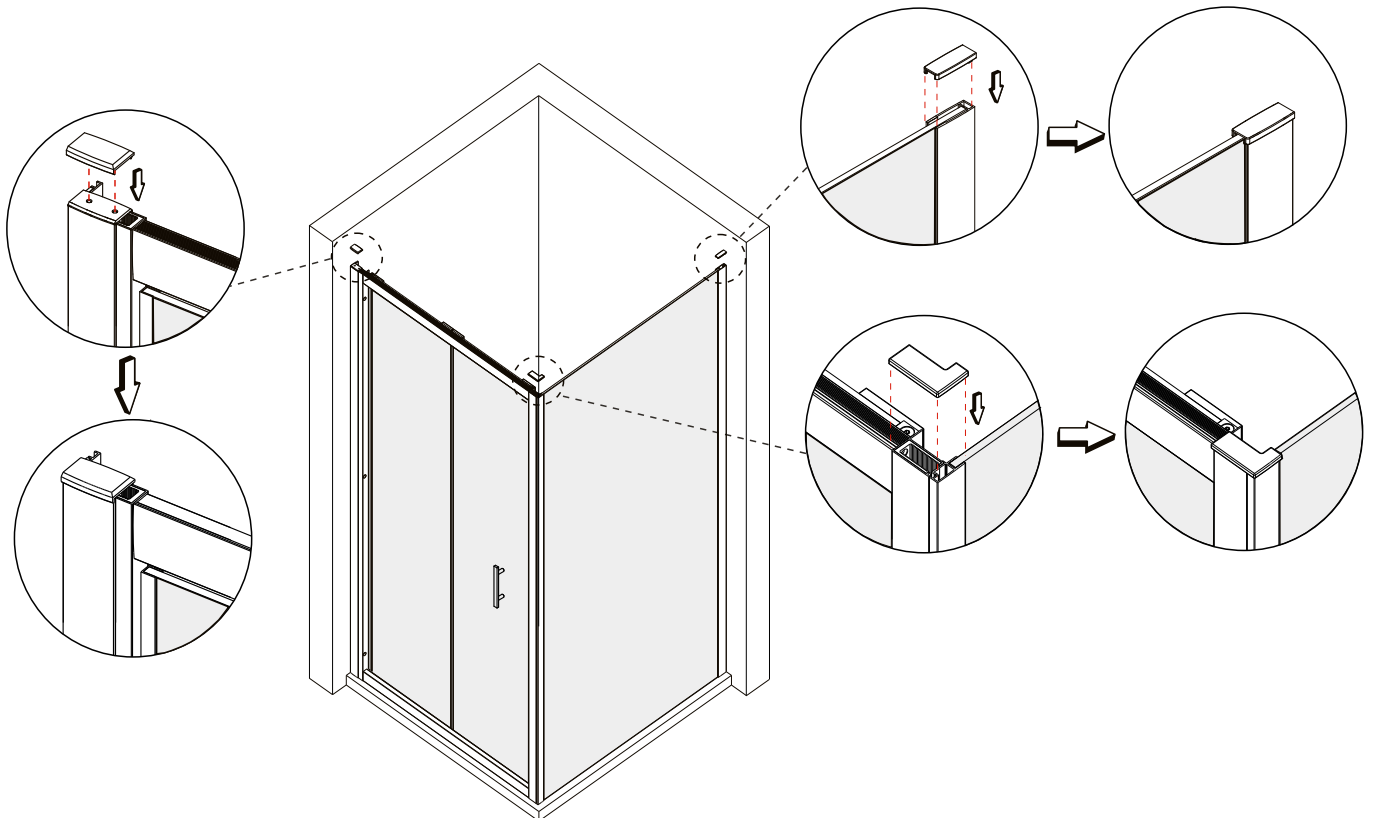
## STAGE 10

Fit the door handle with knob on the inside



## STAGE 11

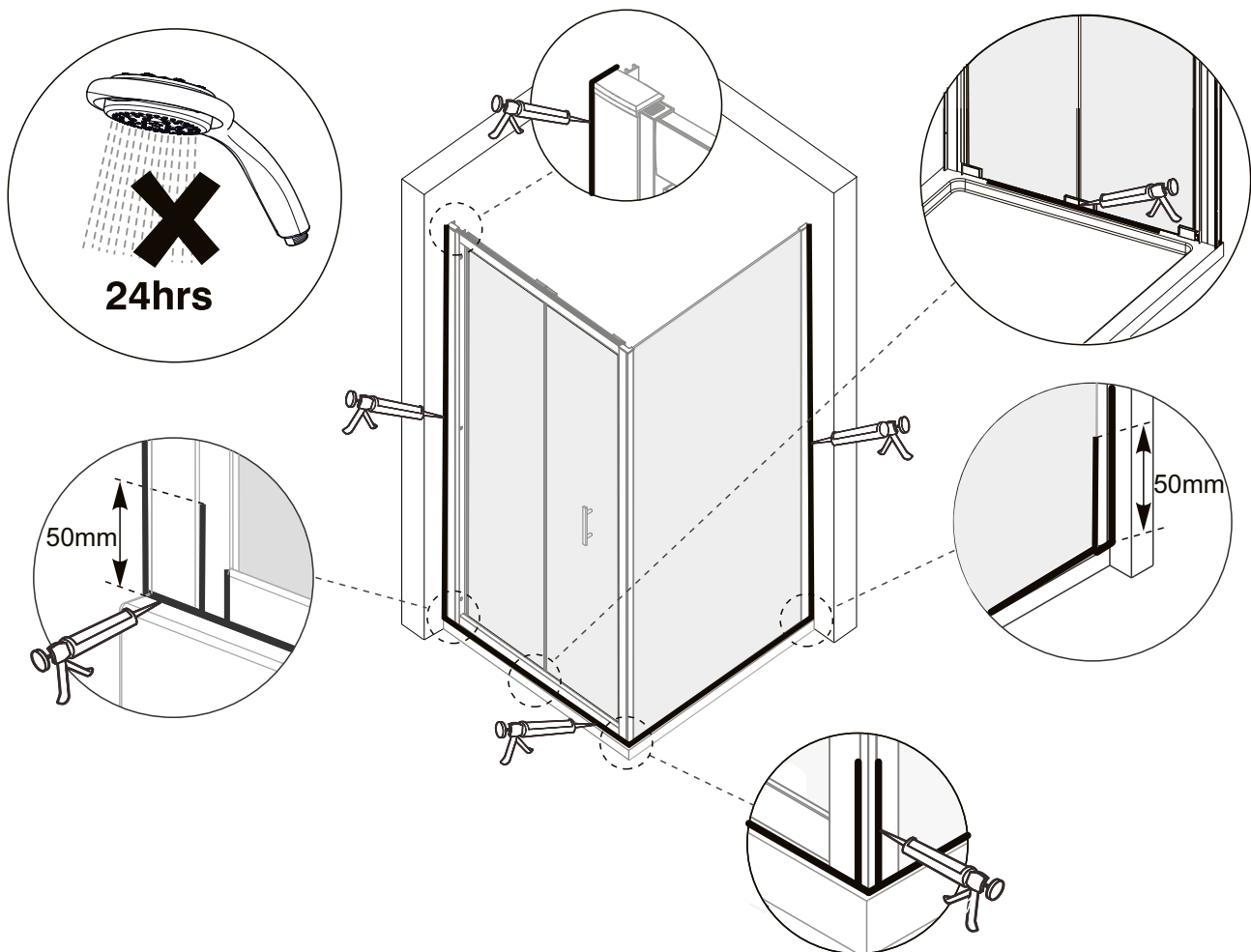
Fit the cover caps on the profiles



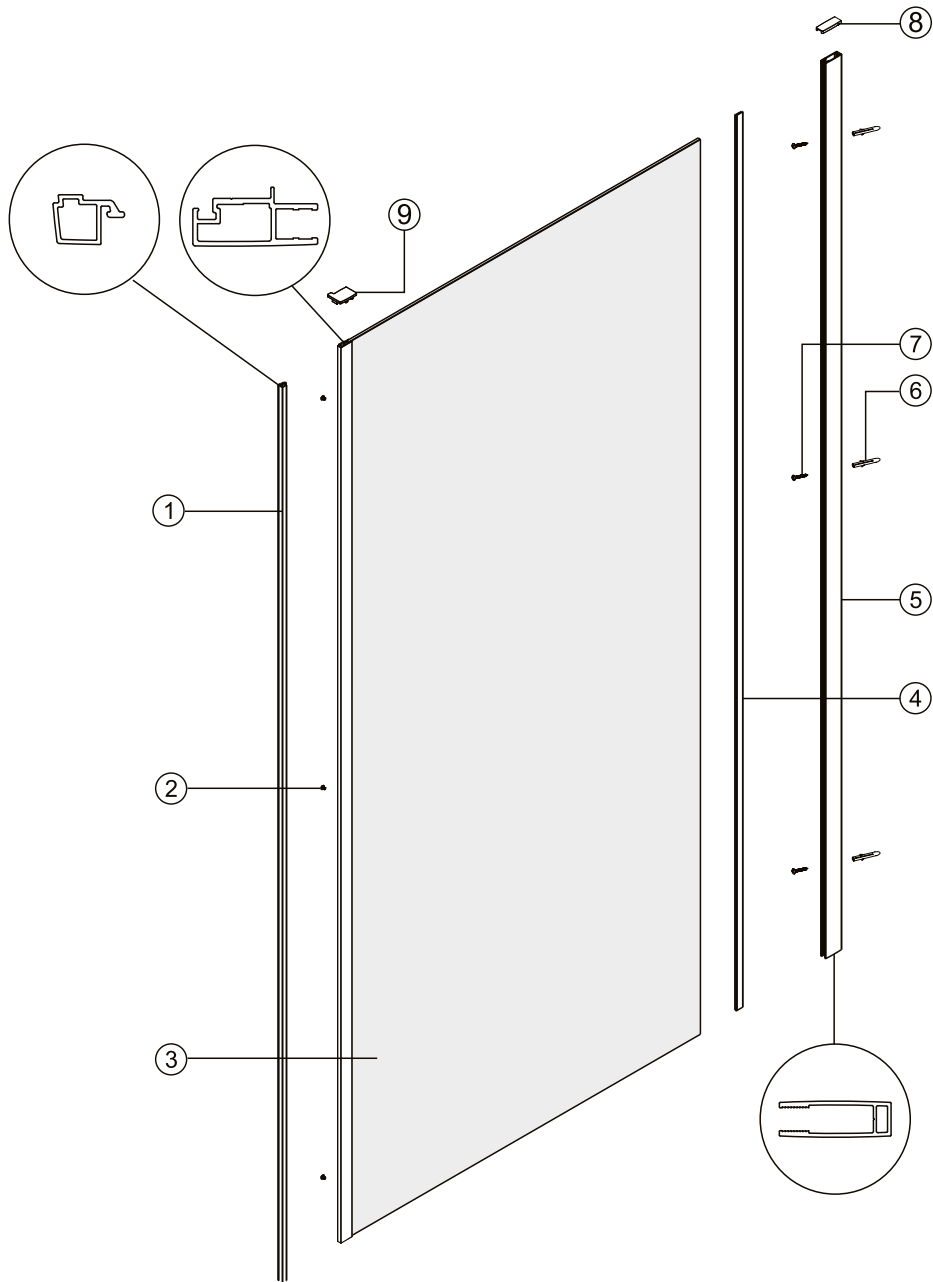
## STAGE 12

Before sealing make sure that all surfaces are clean, dry and free from any residue such as grout.  
Use a quality silicone sealant and applicator to finish the door.  
Seal between the wall and the wall profile.  
Seal between the wall profile and the frame 50mm from the tray.  
Seal across the top of the locking cap between the cap and the wall.  
Seal between the bottom profile and the side panel.  
Seal between the bottom profile and the tray/tiles fully across the outside and between the wedge seals on the inside.

**DO NOT USE THE ENCLOSURE FOR 24 HOURS**



# PARTS LIST



Item No.	Part List Description	Part Code	Side Panel Size Variations		
			760	800	900
1	Corner post for side panel Q	K079	1	1	1
2	Side panel corner post screw	K183	3	3	3
3	Side Panel - various sizes	N/A	1	1	1
4	Wedge gasket 2.5mm	K165	1	1	1
5	Side panel wall profile	K077	1	1	1
6	Wall plug	2SP12	3	3	3
7	4 x 30 frame fixing round screw	2SY51	3	3	3
8	Side panel wall profile cover cap	K015	1	1	1
9	Side panel cover cap Right / Left	K016 / K017	1	1	1