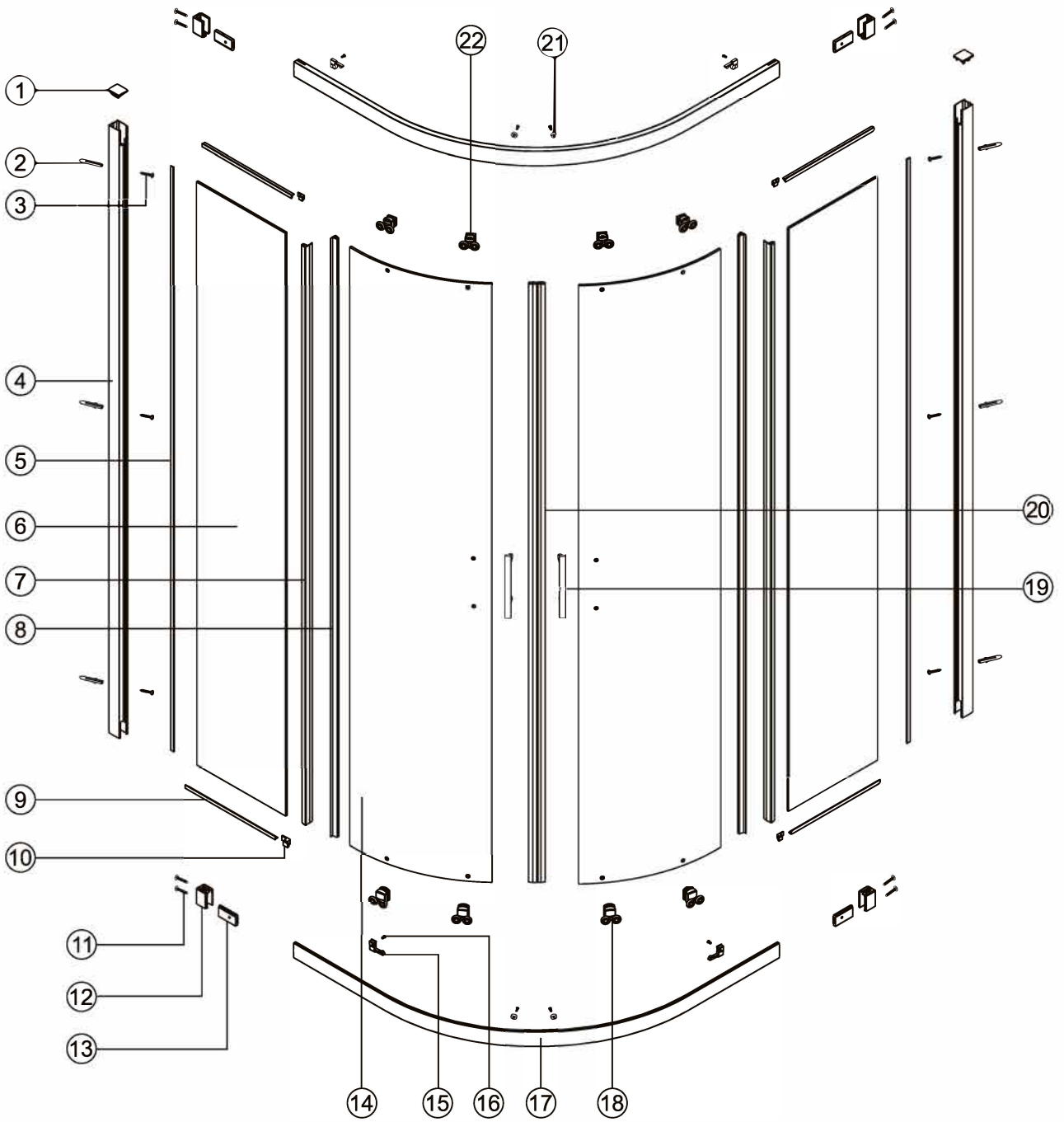
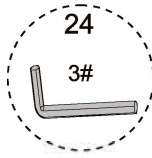
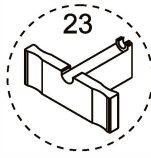


PARTS LIST



Item No.	Part List Description	Part Code	2 Door Quad Size Variations				
			800×800	900×900	1000×800	1200×800	1200×900
1	Wall profile cover cap	K010	2	2	2	2	2
2	Wall plug	2SP12	6	6	6	6	6
3	4 x 30 frame fixing round screw	2SY51	6	6	6	6	6
4	Slider wall profile Q	K073	2	2	2	2	2
5	Wedge gasket 2.5mm	K165	2	2	2	2	2
6	Fixed panel - various sizes	N/A	2	2	2	2	2
7	Upright seal with 9mm soft fin H1810mm	K120	2	2	2	2	2
8	Upright seal with 15mm soft fin H1872mm	K124	2	2	2	2	2
9	Top/bottom rail seal	K114	4	4	4	4	4
10	glass clip left / right	K143 / K144	2	2	2	2	2
11	Countersunk head screw	K145	8	8	8	8	8
12	Sleeve for fixed panel. Type A / Type B	K001 / K002	4	4	4	4	4
13	Nylon adjusting block Left / Right	K008 / K009	4	4	4	4	4
14	Movingpanel - various sizes	N/A	2	2	2	2	2
15	Roller stop Left / Right	K005 / K006	4	4	4	4	4
16	Panhead screw 4x10	K158	8	8	8	8	8
17	Top/bottom profile(800*800)	K054	2				
17	Top/bottom profile(900*900)	K058		2			
17	Top/bottom profile(1000*800)	K057			2		
17	Top/bottom profile(1200*800)	K059				2	
17	Top/bottom profile(1200*900)	K060					2
18	Bottom double roller	K049	4	4	4	4	4
19	Single handle with inside knob	Z001	2	2	2	2	2
20	Magnetic seal set	K126	2	2	2	2	2
21	Round bump stop	K156	4	4	4	4	4
22	Top double roller	K048	4	4	4	4	4
23	Screw fixing jig	K023	1	1	1	1	1
24	3mm Hex key	MG3MMALKEY	1	1	1	1	1