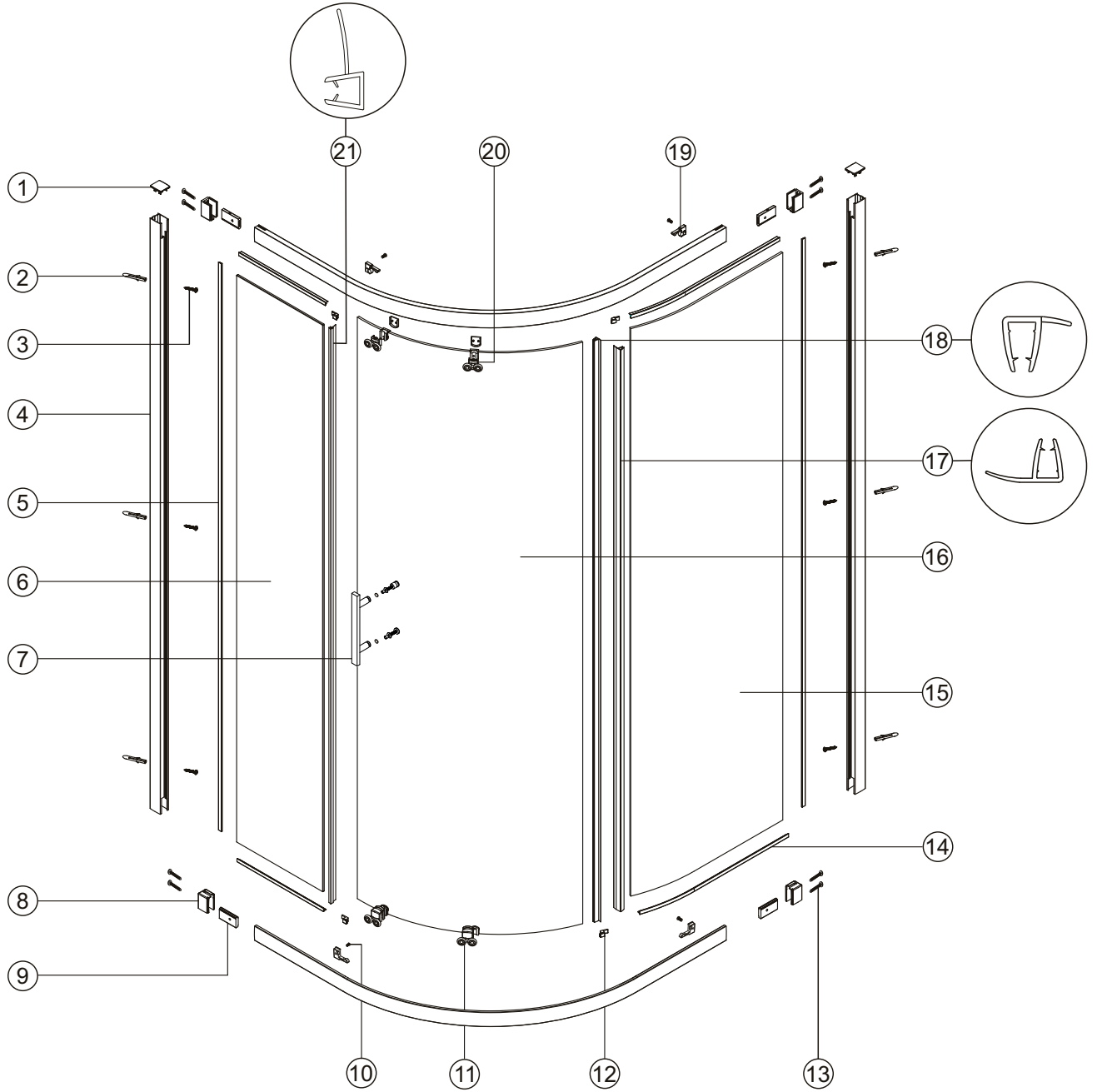
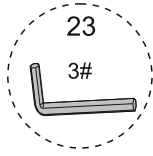
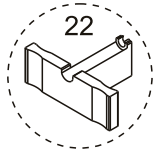


PARTS LIST



Item No.	Part List Description	Part Code	1 Door Quad
			900 x 900
1	Wall profile cover cap	K010	2
2	Wall plug	2SP12	6
3	4 x 30 frame fixing round screw	2SY51	6
4	Slider wall profile Q	K073	2
5	Wedge gasket 2.5mm	K165	2
6	Fixed panel A	N/A	2
7	Single handle with inside knob	Z001	1
8	Sleeve for fixed panel. Type A / Type B	K001 / K002	4
9	Nylon adjusting block Left / Right	K008 / K009	4
10	Panhead screw 4x10	K158	4
11	Bottom double roller	K049	2
12	Glass clip left / right	K143 / K144	4
13	Countersunk head screw	K145	8
14	Top/bottom rail seal	K114	4
15	Fixed panel B	N/A	1
16	Movingpanel	N/A	1
17	Upright seal with 15mm soft fin H1810mm	K122	1
18	Upright seal with 9mm soft fin H1872mm	K118	1
19	Roller stop Left / Right	K005 / K006	4
20	Top double roller	K048	2
21	Upright seal H1810mm for 1 door quad	K137	1