

Danzi DuElec™

Electric Shower



Product Codes

Danzi DuElec™ - 9.5kW - Matte Black	GEDADU93
-------------------------------------	----------

Installation

- Inlet connection: 15mm diameter
- Outlet connection: 1/2" BSP male thread

Commissioning

- Simple 2 minute commissioning process

End User

- Choice of showering experience - divert water between a 5 spray pattern shower head and luxurious fixed rainfall shower head, or even use both together
- Easy to use - power buttons
- Start/stop push button
- Separate temperature dial control
- Phased shutdown - Flushes out preheated water after use to help reduce limescale build up
- 5 spray shower head with removable spray plate and 1.5m anti-twist hose
- 0.75m anti-twist diverter connector hose
- Suitable for cold mains only
- 2 years parts and labour guarantee
- Efficient A energy rating



Danzi DuElec™

Electric Shower

Shower

Temperature stability	Stabilised
Power ratings	9.5kW (at 240V)
Finish	Matte Black
Controls	Start/stop button, power buttons & temperature control dial
Visual indicators	Power-on and selected Power mode indicators
Inlet Connection	15mm male compression
Water Entry Points	Right hand side - bottom back, bottom, bottom side
Cable Entry Points	Right hand side - top, middle back
Outlet Connection	½" BSP male thread
Plumbing System Compatibility	Cold mains only
Minimum Running Pressure/Flow	1 Bar @ 8 l/min
Maximum Static Pressure	10 Bar
Surface Mounted Only	
Approvals, Complies with	BEAB, CE, BSI Kitemark, IPX4
Guarantee	2 years

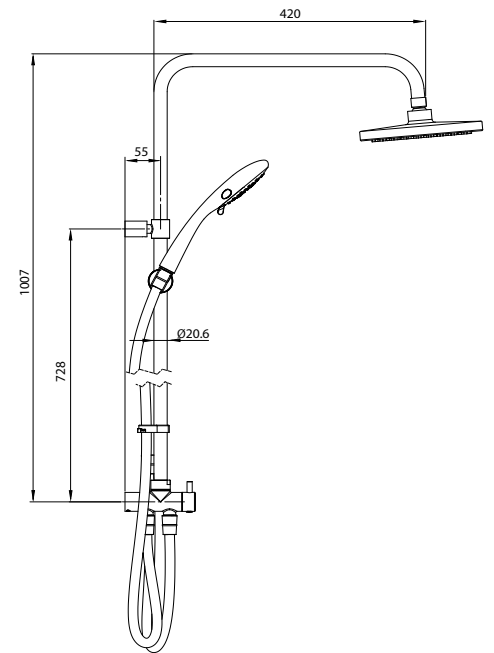
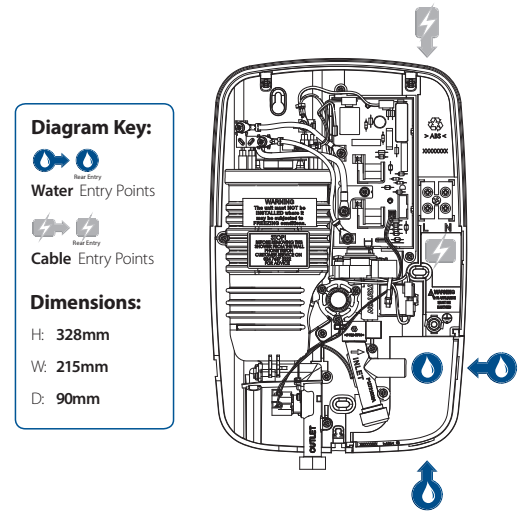
*Recommended minimum running pressure/flow for full performance 1 bar @8l/min

DuElec™ Riser Rail Kit

Length	1007mm / 40inches
Diameter	20.5mm / 0.81 inches
Material	Stainless Steel
Finish	Satin Black
Hose	1.5m Anti-twist (main hose) 0.75m (Connector hose)

IMPORTANT MAINTENANCE NOTICE

Replacing specified Triton accessories for this Danzi DuElec™ unit will aid optimum performance and maintain a valid guarantee



1.5m Anti-Twist Shower Hose
Matte Black
TSHG150BLK



8000 Series Shower Head
Matte Black
TSHE8RCBLK

Contact our specification team

Call: 02476 324 776 | Email: specification@tritonshowers.co.uk | Web: www.tritonshowers.co.uk/specifiers

Danzi DuElec™

Electric Shower



Product Codes

Danzi DuElec™ - 9.5kW - Matte White	GEDADU91
Danzi DuElec™ - 10.5kW - Matte White	GEDADU11

Installation

- Inlet connection: 15mm diameter
- Outlet connection: 1/2" BSP male thread

Commissioning

- Simple 2 minute commissioning process

End User

- Choice of showering experience - divert water between a 5 spray pattern shower head and luxurious fixed rainfall shower head, or even use both together
- Easy to use - power buttons
- Start/stop push button
- Separate temperature dial control
- Phased shutdown - Flushes out preheated water after use to help reduce limescale build up
- 5 spray shower head with removable spray plate and 1.5m anti-twist hose
- 0.75m anti-twist diverter connector hose
- Suitable for cold mains only
- 2 years parts and labour guarantee
- Efficient A energy rating



Danzi DuElec™

Electric Shower

Shower

Temperature stability	Stabilised
Power ratings	9.5kW, 10.5kW (at 240V)
Finish	Matte White
Controls	Start/stop button, power buttons & temperature control dial
Visual indicators	Power-on and selected Power mode indicators
Inlet Connection	15mm male compression
Water Entry Points	Right hand side - bottom back, bottom, bottom side
Cable Entry Points	Right hand side - top, middle back
Outlet Connection	½" BSP male thread
Plumbing System Compatibility	Cold mains only
Minimum Running Pressure/Flow	1 Bar @ 8 l/min
Maximum Static Pressure	10 Bar
Surface Mounted Only	
Approvals, Complies with	BEAB, CE, BSI Kitemark, IPX4
Guarantee	2 years

*Recommended minimum running pressure/flow for full performance 1 bar @8l/min

DuElec™ Riser Rail Kit

Length	1007mm / 40inches
Diameter	20.5mm / 0.81 inches
Material	Stainless Steel
Finish	Chrome
Hose	1.5m Anti-twist (main hose) 0.75m (Connector hose)

IMPORTANT MAINTENANCE NOTICE

Replacing specified Triton accessories for this Danzi DuElec™ unit will aid optimum performance and maintain a valid guarantee

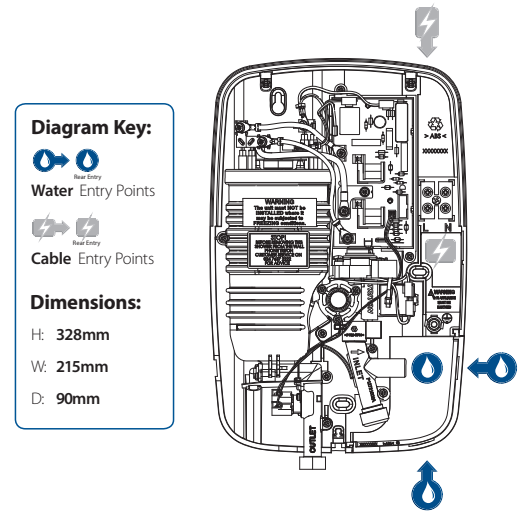
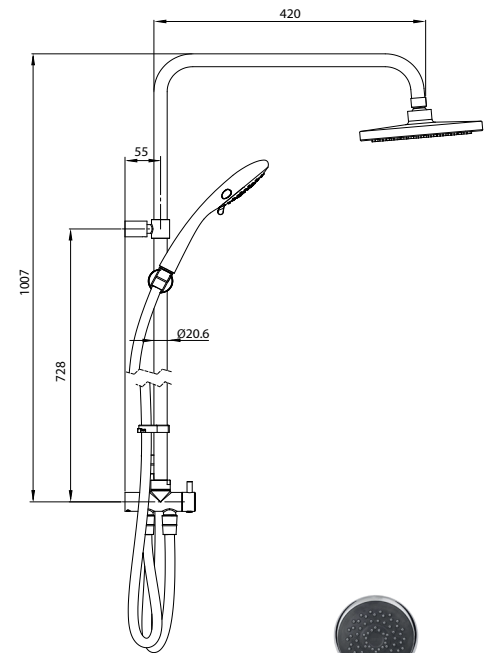


Diagram Key:

- Water Entry Points
- Cable Entry Points

Dimensions:

- H: 328mm
- W: 215mm
- D: 90mm



Isabel – Circular Fixed Shower Head
Chrome
TSHFISABCH



8000 Series Shower Head
Chrome
TSH8RCCHR



1.5m Anti-Twist Shower Hose
Chrome
REHOSE150C

Contact our specification team

Call: 02476 324 776 | Email: specification@tritonshowers.co.uk | Web: www.tritonshowers.co.uk/specifiers