

# Dene Concentric Exposed

Thermostatic Mixer Shower

## Product Codes

Dene Concentric Exposed Mixer Shower	UNDETHEXCM
--------------------------------------	------------

## Installation

- 15mm push-fit (fixings to pipe) 3/4" flat face union (valve to fixings)
- 1/2" BSP bottom

## End User

- Thermostatic temperature control - maintains consistent, comfortable showering temperature
- Separate forward facing flow and temperature controls
- Easy operation lever styled controls
- Automatic shutdown safety feature should either the hot or cold water supplies fail
- Shower kit - 3 spray rub clean shower head, 1.25m anti-twist hose, 530mm rail with adjustable brackets
- Suitable for all systems, including gravity fed

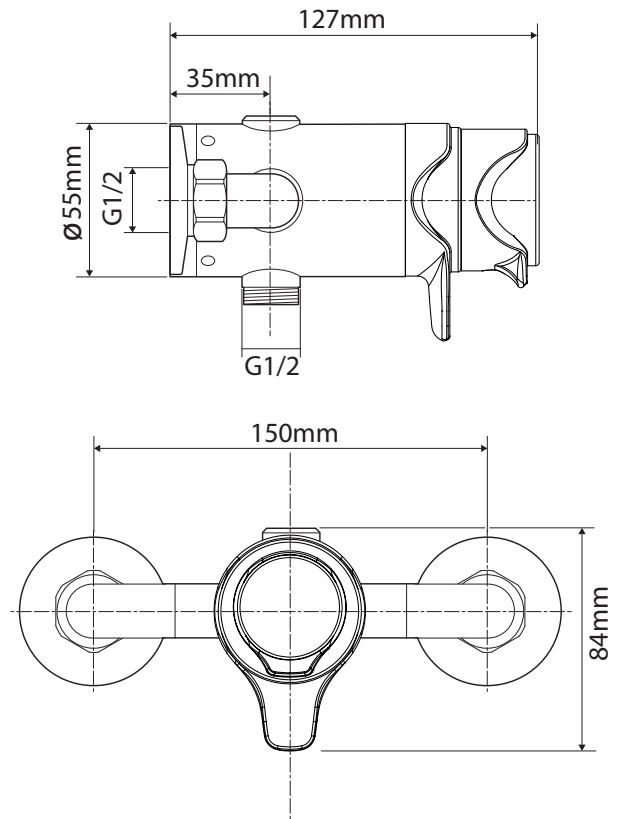


# Dene Concentric Exposed

## Thermostatic Mixer Shower

### Shower

Temperature Control	Thermostatic
Plumbing System Compatibility	High and low pressure systems
Inlet Fittings	Push-fit for pipe tails
Inlet Connection	15mm female push fit
Outlet Connection	1/2" BSP bottom
Minimum Running Pressure	0.1 Bar
Maximum Running Pressure	5 Bar
Maximum Static Pressure	10 Bar
Open Outlet Flow Rate @ 0.1 Bar	3.4 l/min
Flow Limiters Fitted	8l/max flow
Approvals, Complies with	WRAS
Guarantee	5 years



### Riser Rail Kit

<b>Standard version</b>	
Length	Approx 530mm
Diameter	19mm
Material	Stainless steel
Hose	1.25m anti-twist



**Lara Multi Spray Shower Head**  
TSHMLAR3POSCH



**1.25m Anti-twist Hose - Chrome**  
TSHG1203



**Lewis Shower Riser Rail**  
TSKLEWCH

Contact our specification team

**Call:** 02476 324 776 | **Email:** [specification@tritonshowers.co.uk](mailto:specification@tritonshowers.co.uk) | **Web:** [www.tritonshowers.co.uk/specifiers](http://www.tritonshowers.co.uk/specifiers)

(1) Tri-Therm™ constantly regulating flow, blending water and adjusting the power to precisely control the showering temperature.  
 (2) Safe-Set™ tamper proof maximum temperature setting whilst allowing full rotation of the temperature dial.  
 (3) The shower will operate down to 0.5 bar at reduced flow rates.