

T80Z Thermostatic Fast-Fit

Thermostatic Electric Shower - UNIQ®

Product Codes

T80Z Thermostatic Fast-Fit UNIQ® 9.5kW	GET8TUN91
T80Z Thermostatic Fast-Fit UNIQ® 10.5kW	GET8TUN11

Installation

- Thermostatic temperature control - maintains consistent, comfortable showering temperature
- Inlet connection: 15mm diameter
- Outlet connection: 1/2" BSP male thread
- Generous footprint will cover the original T80Z Fast-Fit as well as most competitor models
- 8 water and 6 cable entry points
- Easy pipe connection either left or right, 15mm compression fitting
- Wire free cover fit
- Easy fit entry trims which can be installed with the shower in situ, no tools required
- Swing-Fit™ for left and right-hand side cable connections
- Swivel Fit™ for left and right-hand side water connections

Commissioning

- Simple 2 minute commissioning process

End User

- Separate flow and temperature controls
- Push-Button Start/Stop – Retains you preferred power and temperature setting
- Single outlet 200mm rainfall shower head
- Telescopic over head shower arm for great showering coverage
- Efficient A energy rating



T80Z Thermostatic Fast-Fit

Thermostatic Electric Shower - UNIQ®

Shower	
Temperature stability	Thermostatic +/-2°C
Power ratings	9.5kW, 10.5kW (240v)
Finish	White & Chrome
Controls	Start/stop button & temperature control dial
Visual indicators	Power-on/low pressure indicator
Inlet Connection	15mm compression
Water Entry Points	Top, bottom, side bottom, back (left hand side unit) Top, bottom, side bottom, back (right hand side unit)
Cable Entry Points	Top, bottom, back (left hand side unit) Top, bottom, back (right hand side unit)
Outlet Connection	½" BSP
Plumbing System Compatibility	Cold mains only
Minimum Running Pressure/Flow	1 bar at 8l/min 1.5 bar at 11l/min for 10.5kW*
Maximum Static Pressure	10 Bar
Approvals, Complies with	BEAB, CE, UKCA, BSI Kitemark, IPX4
Guarantee	2 years

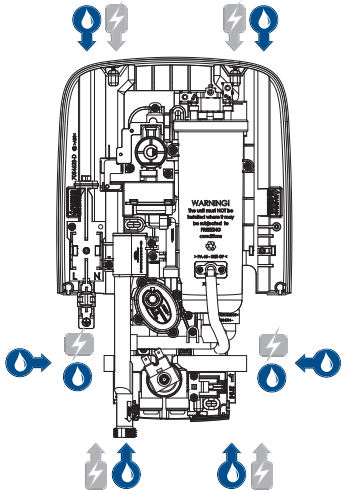
Diagram Key:

Water Entry Points

Cable Entry Points

Dimensions:

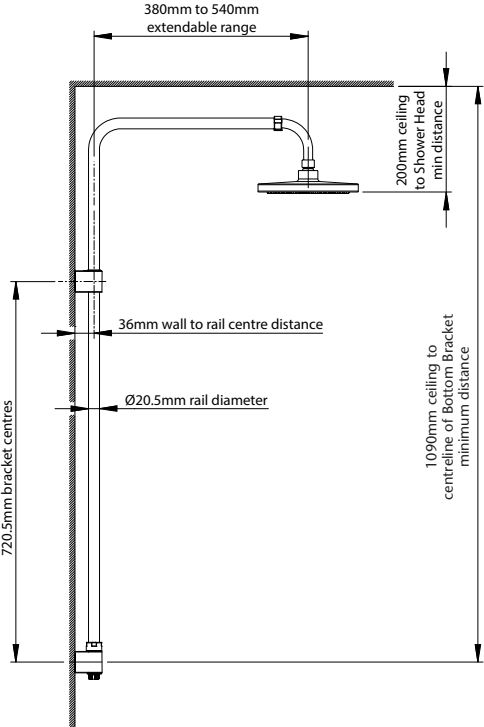
H: 345mm
W: 226mm
D: 120mm



UNIQ® Riser Rail Kit	
Length	1090mm
Diameter	20.55mm / 0.80 inches
Material	Stainless Steel
Finish	Chrome
Hose	1m Anti-twist

IMPORTANT MAINTENANCE NOTICE

Replacing specified Triton accessories for this T80Z Thermostatic Fast-Fit UNIQ® unit will aid optimum performance and keep the unit within the allocated guarantee period



1m Anti-Twist Shower Hose
Chrome
28100570



Isabel Fixed Shower Head
Chrome
TSHFISABCH