

Elina Bar Diverter Mixer

Type 3 TMV Thermostatic Inclusive Mixer Shower

Product Codes

Elina Type 3 TMV Inclusive Bar Diverter Mixer Shower	ELITHBM3DIV
--	-------------

Installation

- 15mm push-fit
- 1/2" BSP

End User

- Separate flow and temperature controls for ease of use
- Automatic shutdown safety feature if hot/cold water supplies fail
- Thermostatic temperature control and Type 3 (TMV) approval for added peace of mind
- KIWA UK Reg 4 approved for water supply regulations compliance (*Valve only)
- Suitable for high pressure systems only
- Simple to install and maintain - Includes push fit fixings for concealed pipework
- Diverts water between large diameter fixed (rainfall) shower head and a five-spray handset
- Five spray pattern shower head with removeable faceplate for easy cleaning
- 2m anti-twist hose

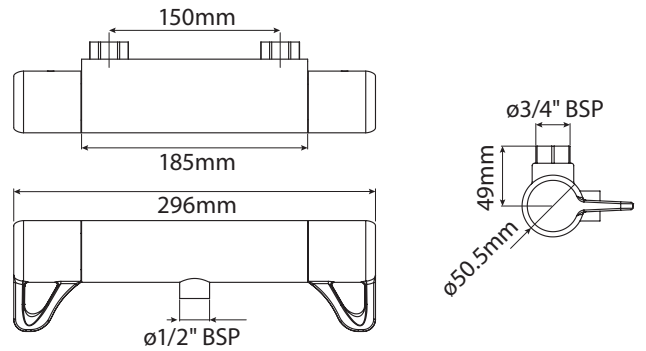


Elina Bar Diverter Mixer

Type 3 TMV Thermostatic Inclusive Mixer Shower

Shower

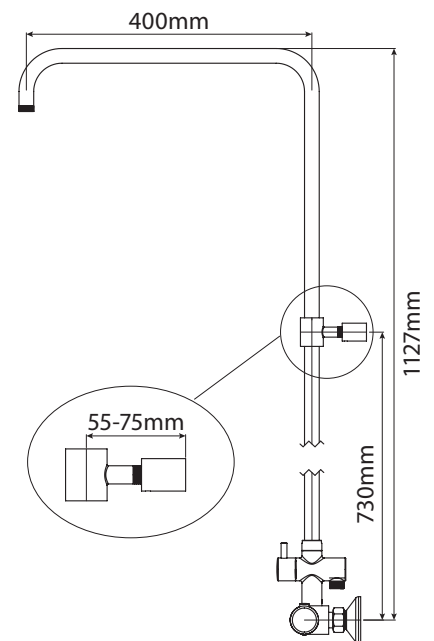
Temperature Control	Thermostatic
Plumbing System Compatibility	High pressure systems only
Inlet Fittings	Push-fit
Inlet Connection	1/2" BSP to 3/4" flat face union
Outlet Connection	1/2" BSP bottom
Minimum Running Pressure/Flow	0.3 Bar
Maximum Running Pressure	5 Bar
Maximum Static Pressure	10 Bar
Approvals, Complies with	KIWA Type 3 (thermostatic mixing valve), KIWA UK Water Regulation 4, DSDC (dementia friendly)
Guarantee	5 years



Riser Rail Kit

Standard version

Length	Approx 1127mm
Diameter	22mm
Material	Chrome plated stainless steel
Hose	2m anti-twist double interlocked



8000 | Care Five Spray Shower Head
Chrome
TSHECARECHR



2m Anti-twist Hose
Chrome
TSHG1266



Isabel | Circular Fixed Shower Head
Chrome
TSHFISABCH

Contact our specification team

Call: 02476 324 776 | Email: specification@tritonshowers.co.uk | Web: www.tritonshowers.co.uk/specifiers